

Duct Professional Catalogue



Address: Al-Marj Ring Road
Nazlet Al-Qalaj

Duct.Proffisional@gmail.com

+001228251760
+00 1141795638

Introduction



Most air conditioning and heating systems require some form of duct work to channel or direct the air to places where the conditioned air is needed. There are many types of ductworks available and often times the ductwork can make a big difference in your utility bills. For that reason, it's important that the ductwork is designed and installed correctly. A poor installation job will result in poor performance, bad air flow, leaky duct systems, and higher than usual ability bills. Another important factor in the installation process is to make sure the duct work is sized properly. Over sizing systems cost more and does not maintain the desired air flow and undersized duct work causes the system to strain mechanically and can be noisy.

Several conditions must be considered in an effective design. A primary issue is the trade off between the initial cost of the duct system and the energy cost of the air distribution system ; larger ducts require a larger initial investment, but result in lower fan energy costs over the life of system. Other issues include space available noise level, capacity for expansion, appearance etc. It's important that the air conditioning ductwork system be designed for the air-conditioning load. Each room or space of the facility should be evaluated and a determination of how much air flow will be required to ensure that each room remains at a desirable and comfortable temperature.

Generally, at the time of designing an air conditioning duct system, the required air-flow rated is known from load calculations. The location of fans and air outlets are fixed initially. The duct layout is then made taking into account the space available and ease of construction. In principle, required amount of air can be conveyed through the air conditioning ducts by a number of combinations. However, for a given system, only one set results in the optimum design. Hence, it is essential to identify the relevant design parameters and then optimize the design.



Profile

Duct Professional is The Middle East's leading for Sheet Metal Manufacturer and Accessories using the state of the art and latest automated Duct coil lines. The Ducts are fabricated to DW 144, SMACNA and ASHRAE standards or as per consultant's specification

Duct Professional is ideally suited for fast-track project with extensive manufacturing facility using state of art and latest automated American and European machines which provide dimensional accuracy, consistency and high production capacity for Automated Seam Locking, CNC profile cutting and Duct fabrication

- **Team**

- Duct Professional has a team of highly experienced Mechanical Engineers, Draughtsman, and Supervisors to ensures your job requirements and provide solutions to consultant's specification, Duct man, Insulators, Certified Welders, Plasma Operators, Electricians and other skilled workers.
- Duct Professional is working hard to prove Perfection is not by accident. Considering the long experience of the management team in this field duct technology is today recognized by the long list of projects successfully completed.

- **Sister Company:**

- St. Peter Company for Electromechanical works and Duct Professional Factory are working under Management of **One chairman Eng. Milad Noshy**

Duct

A duct system is a network of round or rectangular tubes generally constructed of sheet metal, fiberglass board, or a flexible plastic and-wire composite-located within the walls, floors, and ceiling. Usually, you can see only the outlet, which is a register covered with grillwork.

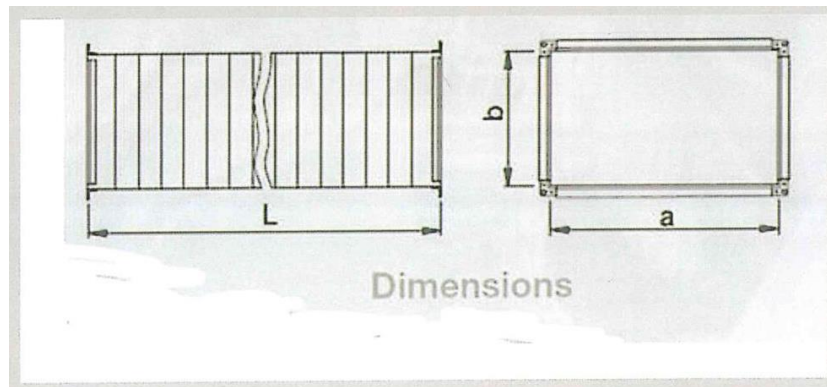
The purpose of a duct system is to transmit air from the central air source to the air diffusers located in the building control zones. Figure below shows a central heating furnace connected to supply and return air ductwork. The furnace is connected to the air plenum at the starting point. Furnace fan/s draw air in through grilles called returns and force air through the plenum and into the conditioned space through supply registers.

Description

Straight duct, stiffened with transverse trapezoid corrugations, which reduces the risk of noise generation. Larger dimensions have stiffening profiles and/or internal rods.

Installation height of these profiles is 23mm.

Ducts are normally supplied with a strong joining, but can also be supplied as a flexible piece, where the joining profile on one end is not fixed. Also available with an end cover fixed by joining profiles.



Fully Automated Ducting machine:



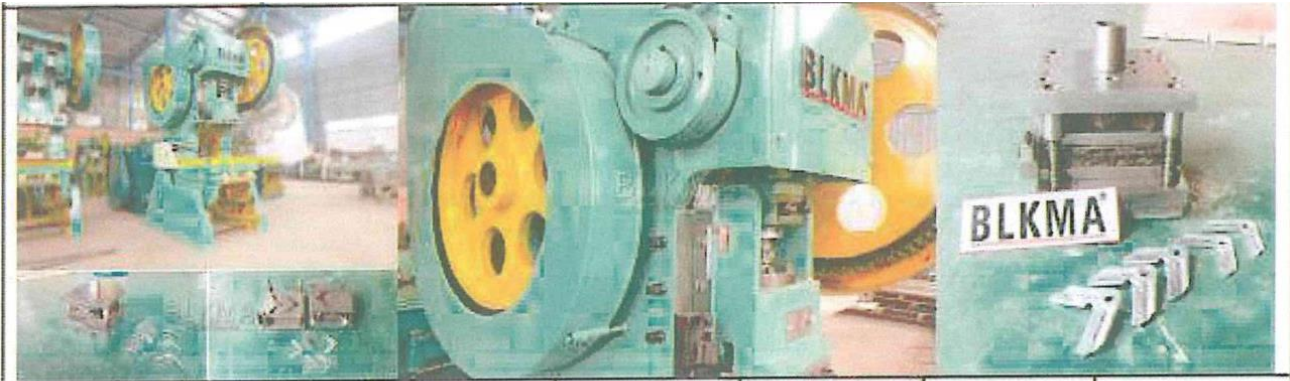
This is totally automatic machine which allows you produce the self-flanged duct. Our machine is designed, to produce duct by bending and cutting the rolled sheet in the desired dimensions. In order to carry out the same production we need to have separate machines and more personnel.



| Model | Sheet thickness (mm) | Max width (mm) | Max working speed(mm) | Coiler max weight(T) | Power (kw) | Weight (kg) | Dimensions (mm) |
|------------|----------------------|----------------|-----------------------|----------------------|------------|-------------|-----------------|
| ADL-3-1300 | 0.5-1.2 | 1300 | 15 | 7 | 7.5 | 3500 | 5500*1950*1350 |



| Model | Sheet thickness (mm) | Max width (mm) | Max working speed(mm) | Coiler max weight(T) | Power (kw) | Weight (kg) | Dimensions (mm) |
|------------|----------------------|----------------|-----------------------|----------------------|------------|-------------|-----------------|
| ADL-5-1300 | 0.5-1.2 | 1300 | 15 | 7 | 30 | 12000 | 28000*3600*1500 |



| Model | Pressure (KN) | Dimensions of die holder(mm) | Slider stroke (mm) | Slider stroke times(1/min) | Power (kw) | Dimensions (mm) |
|---------|---------------|------------------------------|--------------------|----------------------------|------------|-----------------|
| J23-40T | 400 | 50*70 | 100 | 50 | 3 | 1320*970*2380 |



Rectangle Duct

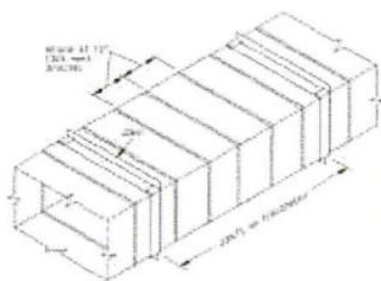
Rectangular and square duct may be the best solution for any application.



- Able to accommodate any transition and fitting with ease. Pittsburgh, similar seams allow for assembly without welding. Multiple Connections: Slip & Drive, Duct Mate, TDC or Welded.
- Highest air carrying capacity for any given width and height of application.
- Automated Design-to-Coil-Line AutoCAD eliminates labor intensive manual drafting.
- Often the best choice where physical space limitations are a prime consideration.

Rectangular Duct Techniques

Slip & Drive Techniques



Slip on Flange Technique

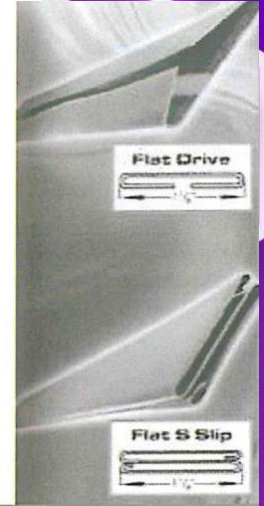
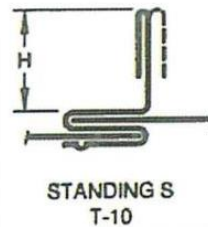


Flanged (T.D.C) Technique



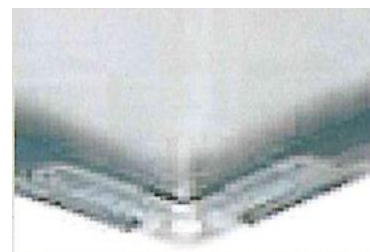
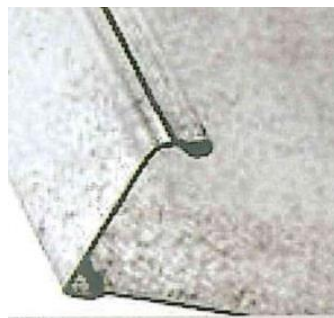
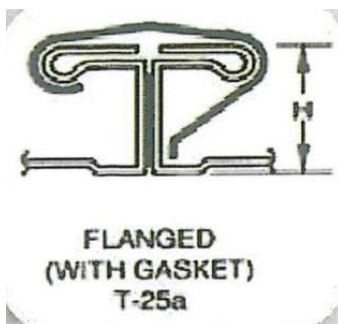
Slip & Drive Technique:

- Duct length: 1.22m.
- Recommended for the small sizes of ducts from 0- 18 inch or according to specification.



Flanged (T.D.C) Technique:

- The Benefits of Rectangular TDC Systems For Transverse Joints:
 - (a) Simple and trouble-free installation compared to manually-applied flanges.
 - (b)
 - (c) TDC connection is airtight and assures perfect airflow and balancing.
 - (d)
 - (e) Noise-free since the flange is an integral part of the duct body unlike other flange connection types.
 - (f) TDC ducts can be assembled or dismantled without affecting the firmness of the duct.
- In this technique flanges formed from ducts, installation of comers and clamps.
- Duct length: 1.1Sm.

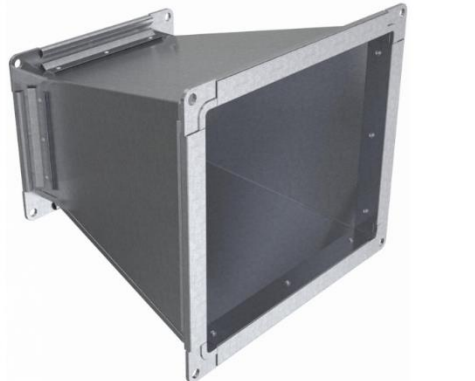
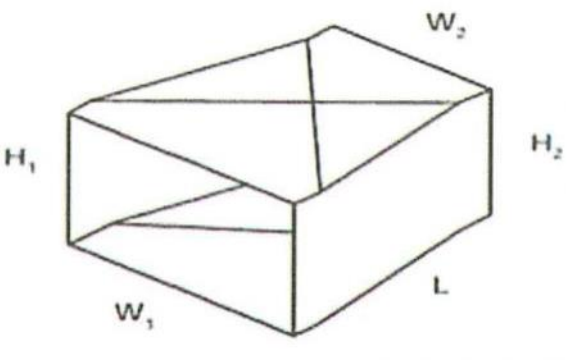




Important note:

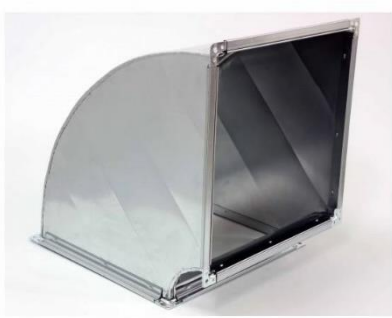
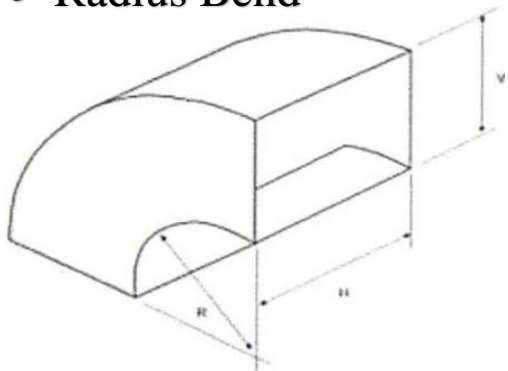
Rectangular ducts can be supplied as a completely assembled system or as knocked down for assembly at the

- Reducer

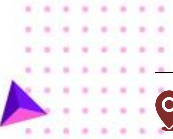


Order reducer $W_1 \times H_1 / W_2 \times H_2$ with length L

- Radius Bend

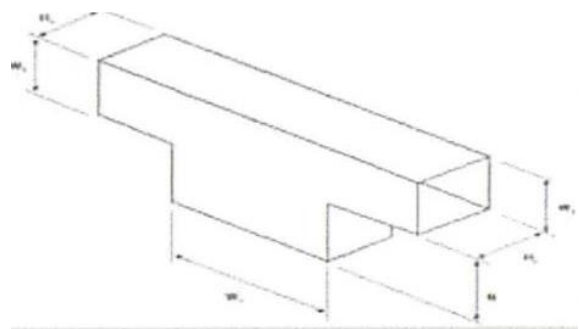


Ordering Radius bend $W \times H$ with radius or throat R



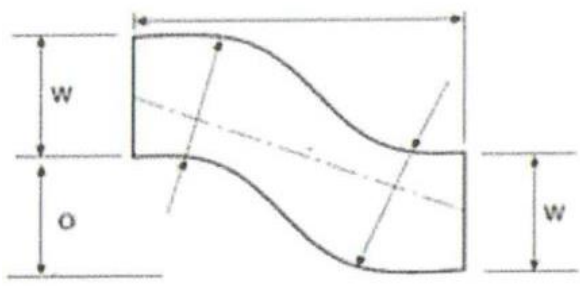


• Tee



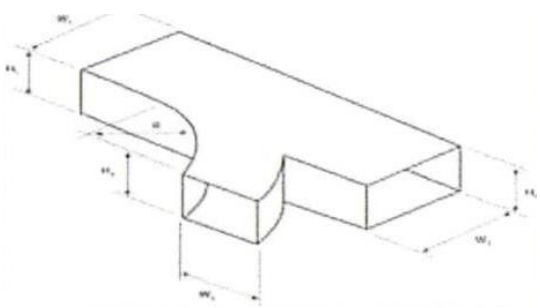
Ordering Tee (W2 x H2) (W3 x H3) / (W1 x H1) with throat N

• Offset (S shape)



Order off W x H x O x L

• R-fitting or parallel flow branch

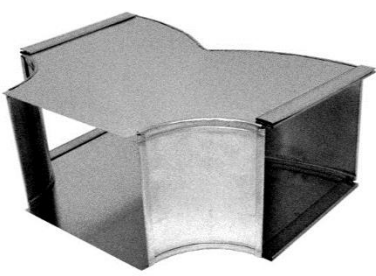
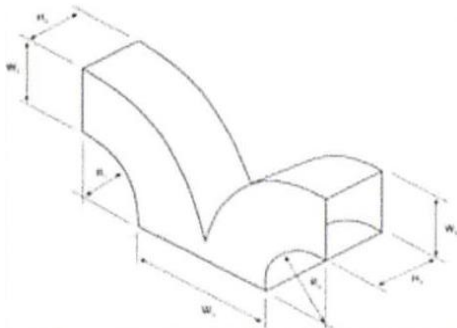


Ordering RF (W2 x H2) (W3 x H3) / (W1 x H1) with radius R



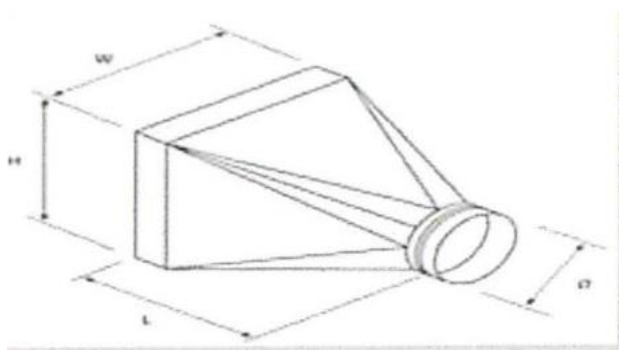


• Split bend



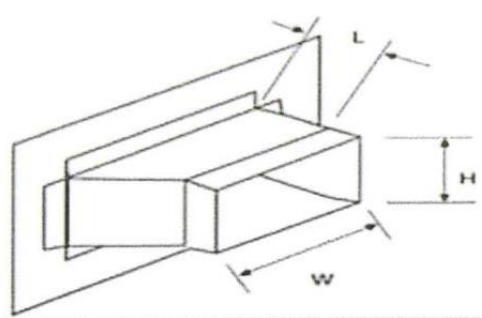
Ordering SB (W2 x H2) (W3 x H3) / (W1 x H1) with radius R1 and R2

• Transition, rectangular to round



Order Trans (W x H) / O with length L

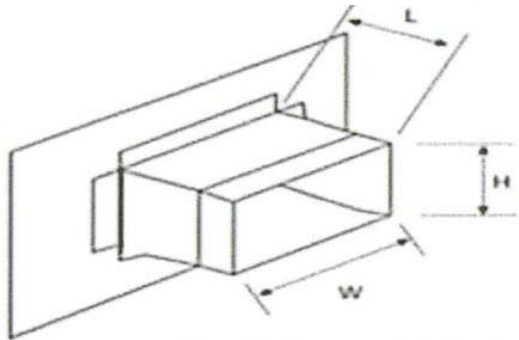
• Take off 45°



Order to 45° (W x H) with length L



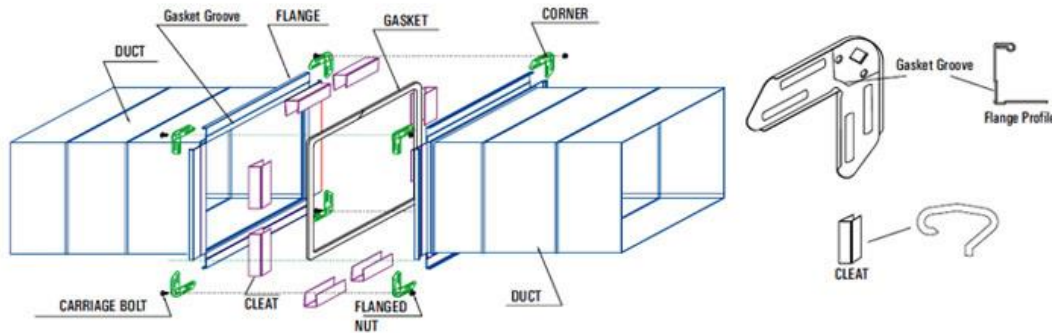
- Take off 90°



Ordering SB TO 90° (W x H) with length L



TDF Flanging system



TDF is a flanging system that consists of forming a flange profile on the duct ends, thus made out of a sheet from which the duct is fabricated. TDF is a 4 bolt duct connection system that eliminates time wastage. Rather than using separate connectors to assemble your system, TDF flanges are roll formed onto duct during the manufacturing process. This connection minimizes leakage and installation costs. These TDF flange eliminates the additional internal sealing around the edges of duct & thereby saves the labour & material.



Features:

- Highly accurate flange profiles and components ensure ease of fitting and high-quality assembly.
- A Recessed groove on flange and radial groove on corner pieces for proper gasket seating.
- Snap fit corner pieces to allow easy fitting at sites.
- Flexibility to use suit-to-site pieces with ROLAMATE™ slip-on flanges.



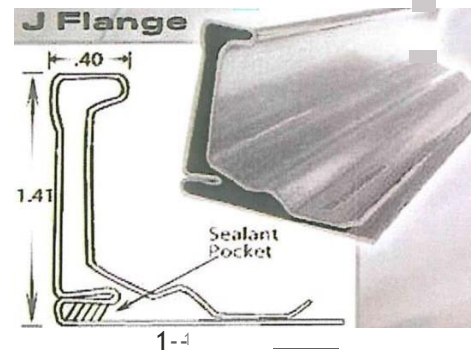
Accessories for Connecting Duets & Installation



Flange & Cleats:

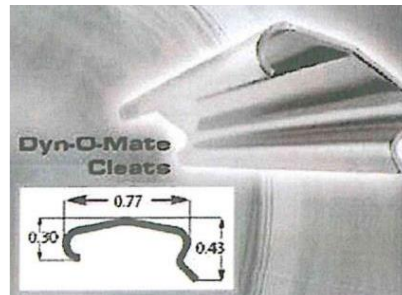
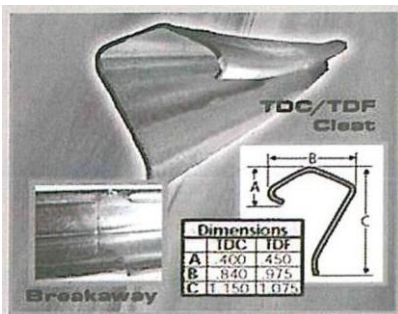
DYN-O-Mate Flanges

- DOMJ Flange.
- Designed to strengthen the duct wall and connect duct sections together.
- Furnished with an integrated sealant pocket for a secure air tight fit.
- Manufactured from 20-gauge steel in 12ft. length.
- DOMJ is designed for large commercial and high-pressure applications.



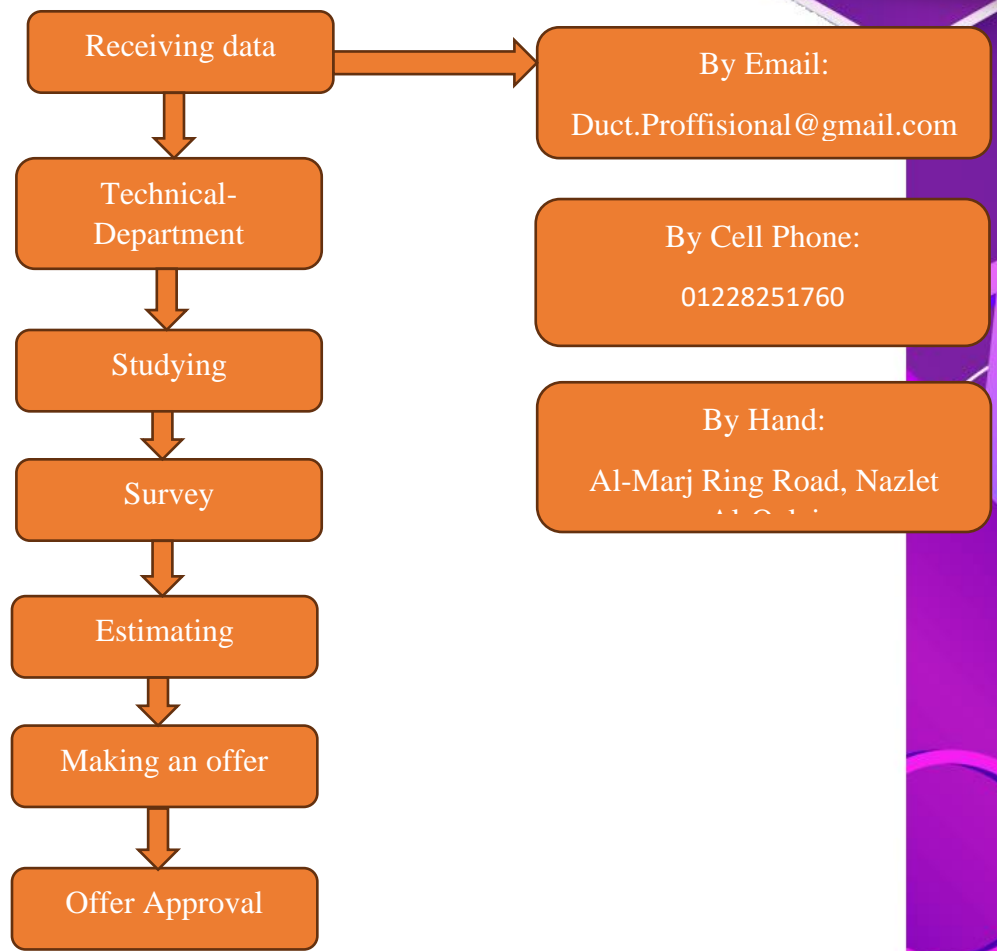
DYN-O-Mate Cleats

- DOM-CLT and TDF-CLT are manufactured from 20-gauge galvanized steel 6" pieces.
- TDC! TDF-2230 is 22-gauge steel formed into lengths of 30" long and divided into five 6" cleats that are partially cut through allowing them to be easily separated into 6" pieces.





Project procedure



Manufacture and supply material

Manufacture only

- Raw material specifications
- Max. weight of roll 6 ton
 - Width of roll 1.25cm
 - Thickness range



Supplier

El Naur factory for (sabic steel)K.S.A

Kandil steel for (Kama) A.R.E

- Test sample in lab to check the required quality
- Send manufactured sample to consultant to
- Approved material
- Duct bill of material
- Production department
- Review duct bill of material
- Fabrication procedure
- Fabrication procedure
- Weighting of fabricated duct
- Account department
- Payment
- Delegate to hand over
- Hand over





Getting duct bill of material

Ducts using Pro-fabricate duct machine

Shapes and models using plasma cutting machine

Ducts using Pro-fabricate duct machine

Entering shapes and model's data to office

Entering duct data to machine

Computer determine necessary dimension of plasma sheets

Selecting required thickness

Cutting required sheets using Pro-fabricate duct machine

Making beads with standard list. According to SMACNA (305 mm)

Cutting sheets using Plasma cutting machine

Cutting sheet according to duct dimension

Labeling shape parts for easy assembling

Making notches for male & female lock (Pittsburgh)

Forming male and female lock using Roll former

Making specified connection (TDC, duct mate or slip & drive)

Making specified connection (TDC, duct mate or slip & drive)





Bending the sheet metal
according to the duct

Collect formed sheets to get
the required shape

Check the dimension
(Quality control)

Connect male to female lock

Adding corners using corner
cadet machine

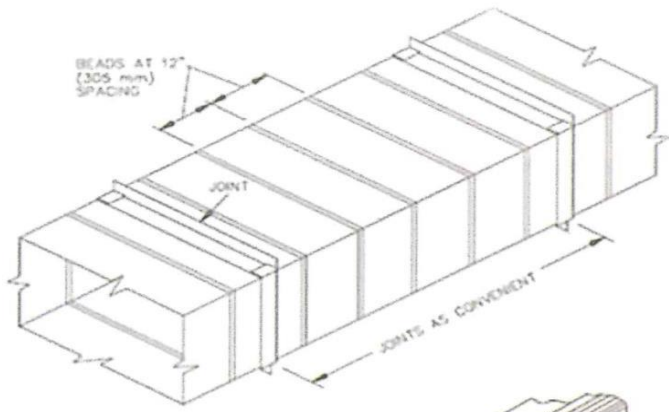
Recheck the dimension
(Quality control)





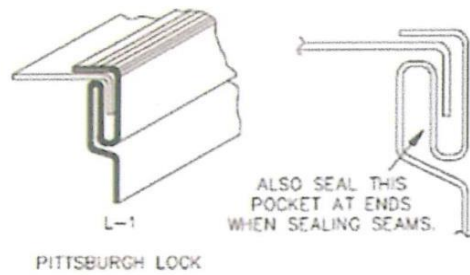
• **Straight ducts**

All straight ducts are beaded at equal spacing (305mm) according to SMACNA



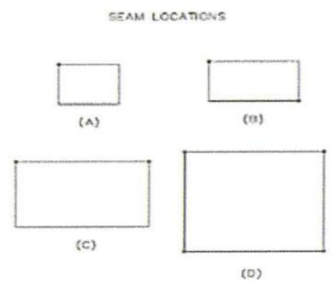
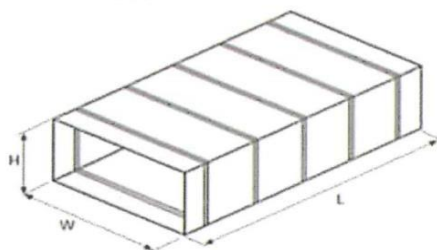
Longitudinal Seam (Pittsburg lock)

This type consists of male side (9mm) & female side (35mm)



• **Ordering**

Duct W x H x L



NUMBER OF SEAMS AND LOCATION VARIES WITH JOINT TYPE, SHEET ROCK AND ASSEMBLY PLANS.

* Seam numbers and locations vary according to joint type and size.





Spiral Ducts

Duct Professional Factory is experienced in manufacturing all types of HVAC ducts and its accessories, having many production lines serving all our client requirements.

Our experienced and dedicated manpower and of course our high-tech machineries and equipment's qualifies us to be the leader in the MEP field.

We proudly produce comprehensive range of galvanized steel spiral ducts with wall thickness that suits your needs.

We highly recommend for our clients to use the spiral ducts. The reason for such recommendation is its lower weight, faster installation, lower pressure drop for the same diameter, compared to the rectangular ducts.





Spiral Ducts Size

- Sizes: 80mm dia. to 1400mm dia.
Single wall construction
- Double wall in 1", 2" fully insulated (available upon request)
- Material: - Galvanized sheet metal (275 or 330 gm /m2).
-Thickness 0.6mm to 1.25mm.
-Perforated Galvanized sheet (available upon request).

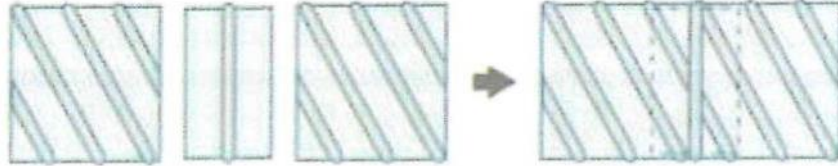
| | |
|---------------------------|--------------------|
| Elbows | Reducers |
| Off-sets | Tees |
| Cross Tees | Laterals |
| Saddle Taps | Y-branches |
| End Caps | Square to Round |
| Custom Fittings Available | Canvas Connections |



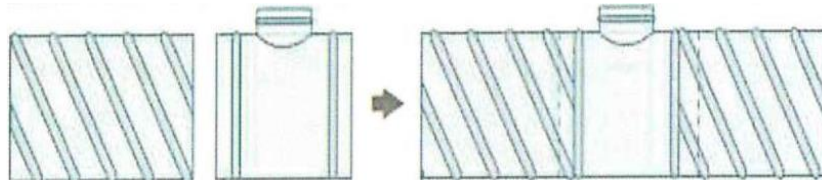


Connection:

Couplings:

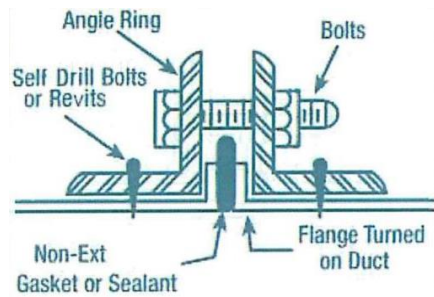
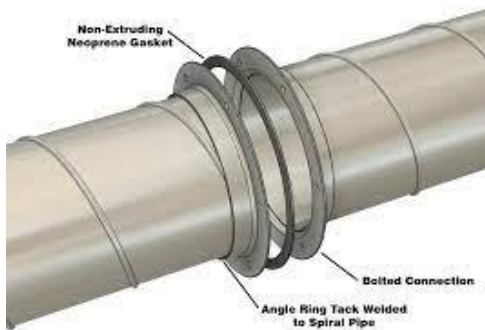


Duct - to - joint connections are made by using a duct coupling that slips inside the duct sections.

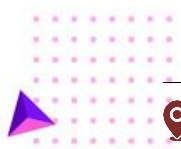


Duct - to - fitting connections are made by slipping the fitting collar into the duct.

Flange and Angle Rings



Flanged connections are made by installing steel angle rings for both ends of duct, and then installing gasket between the two flanges. Finally connect using steel bolts.





Round Connection



Without damper



With damper

Rectangular to Round



Without damper



With damper

Round Collar



- Crimped or non-crimped end
- With or without damper





Reducer (Cone)



With damper



Without damper

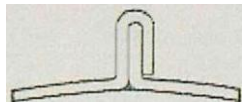
Application: connecting spiral ducts while reducing the duct diameter.

Round Duct is the most efficient and economical means of conveying air. Round and oval duct have lower running costs than rectangular duct. Their shape results in lower pressure drops, thereby requiring less fan horse power to move the air and, consequently, smaller equipment. The shape also has less surface area and requires less insulation when externally wrapped.

Construction:

Fittings shall be manufactured using one or more of the following construction methods:

- *Overlapped edges stitch welded along the entire length of the fitting.
- *Standing seam gore locked.



Gore locked Seam



Stitch Wild Seam RL-2



Black Steel



- Duct Professional has experience in manufacturing of Black steel ducting performed by its dedicated team of skilled workmen and qualified welders to achieve quality ductwork.
- Longitudinal seams are made with Pittsburgh lock or Continuous Welded.

Flanged & Angel Steel Connection Technique:

- Ducts connections shall be angle iron joint connections.
- Steel Angles are welded continuously on edges of duct and tack welded on the Surface of the duct. Type of Seam: Welded Seam.
- Welding type: Shielded metal arc welding Thickness: 1.5mm - 4mm.
- Ducts have welded seams and angle joint connections 30mmx30mmx3mm 40mmx40mmx3mm.
- All joints are ground smooth, fitted and welded to make connections grease -proof and airtight.
- Other: Powder paint and normal paint. Using Guide:
 - For high pressure Duct
 - Smoke exhausting.
 - Distribute the hot air.
 - Smell exhausting.





Stainless Steel Duct

- Duct Professional has experience in manufacturing of Stainless-steel ducting with Stainless Steel 304 or Stainless Steel 316 and manufactured by dedicated team of skilled workmen and qualified welders to achieve quality ductwork.
- Longitudinal seams are made with Pittsburgh lock or Continuous Welded.

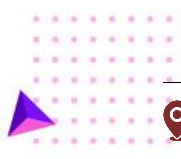


Aluminum Duct





Request For Inspection Materials





ASGC

مؤسسة استشارات
ECG
ENGINEERING CONSULTANTS GROUP S.A.

طلب اعتماد مواد

| | | |
|-----------------------------------|--|--|
| رقم الطلب: MS/R5/Z03/Mech 0401 | المالك : هيئة المجتمعات العمرانية | مشروع الحي السكني R05 - (Zone 3) بالمحافظة الإدارية الجديدة |
| التاريخ : 2021 / 01 / 24 | الإستشاري : جماعة المهندسين الإستشاريين ECG | المقاول : ASGC Construction |

| | | | | | | |
|--------------|---------------------------------|---------------------------------|------------------------------|---|--------------------------------|-------------------------------|
| قسم التكديف: | <input type="checkbox"/> معماري | <input type="checkbox"/> كهرباء | <input type="checkbox"/> صحي | <input checked="" type="checkbox"/> ميكيف | <input type="checkbox"/> حراري | <input type="checkbox"/> أخرى |
|--------------|---------------------------------|---------------------------------|------------------------------|---|--------------------------------|-------------------------------|

| | | | | |
|--------------|-------|-------|------|---|
| صفة التكديف: | 1 | 2 | 3 | 4 |
| عربات | خامات | كفلوج | أخرى | |

| | | | |
|-----------------|--------------------------------|--|-------------------------------|
| التكديف بالقرض: | <input type="checkbox"/> للعلم | <input checked="" type="checkbox"/> للاعتماد | <input type="checkbox"/> أخرى |
|-----------------|--------------------------------|--|-------------------------------|

| | |
|---------|--------------|
| الموقع: | المنطقة : R5 |
|---------|--------------|

المينى :

| رقم | البيان الوصف | التصنع المورد | رقم مراجع المستندات | عدد الترخيص | مراجع العقد المقايمة | مواصفات الأحمدة |
|-----|---|-------------------|---------------------|-------------|----------------------|-----------------|
| 1 | Galvanized Sheet Metal Work and Fabrication | Duct Professional | | | 15880 | 15880 |

ملاحظات المقاول :

* توجد عنه (نوع + طوله) (1,35m x 65 cm) مماثله للرسومات بموقع الاستشاري

| | | |
|--------------------|---------|-----------|
| مهندس المكتب الفني | الإسم : | التوقيع : |
| مدير المكتب الفني | الإسم : | التوقيع : |

| | |
|-------------------------------------|--|
| <input type="checkbox"/> | ملاحظات استشاري: |
| <input checked="" type="checkbox"/> | ملاحظة: (Joint) مع داخل تجري |
| <input type="checkbox"/> | اكواد : مع الخارج مفضل و طرقتك SMAENA أو |
| <input type="checkbox"/> | Turning Vane مع "HEM" للتصنيع |

التاريخ : 2021/01/24

التوقيع :

الإسم :



استلام الاستشاري
الإسم :
التوقيع :

استلام المقاول بعد المراجعة
الإسم :
التوقيع :





EGC
ENGINEERING CONSULTANTS GROUP S.A

محضر اعتماد عينات

مشروع الحي السكني R05 - (Zone 3) بالعاصمة الإدارية الجديدة
المقاول : شركة الشعفار (ASGC)

المالك : هيئة المجتمعات العمرانية
الإستشاري : جماعة المهندسين الإستشاريين ECG

رقم الطلب : (09)
التاريخ : 2021 / /

IC/R5/Z03

بموجب (P) صحي
مكافحة حريق (F)
تكييف (H)

بحضور كلا من :

- 1- السيد المهندس / محمد محمد سليمان .
 - 2- السيدة المهندس / منى عبد السلام .
 - 3- السيد المهندس / أحمد محمد العربي .
 - 4- السيد المهندس / محمد مروان .
 - 5- السيد المهندس / ناصر أحسان .
 - 6- السيد المهندس / اشرف مهدي .
 - 7- السيد المهندس / محسن عبده .
- حيث قدمت شركة (ASGC) عينات وكتالوجات فنيه وهي كالآتي :

| المنتجات | الرمز | المورد | م |
|----------|-------|------------------------------|----|
| | | ALANDALOSIA | 1 |
| | | KHEDR-TRUST | 2 |
| | | EGY AIR | 3 |
| | | GRAND COOL | 4 |
| | | DUCT HOUSE | 5 |
| | | GALVANIZED DUCT PROFESSIONAL | 6 |
| | | DUCT CASTEL | 7 |
| | | FIRST AIR | 8 |
| | | LIFE DUCT (BEIN ARC) | 9 |
| | | RUSKIN | 10 |
| | | -Fire Damper-Volume Damper. | 11 |

- وقد قامت اللجنة بلاطلاع علي مقياسه الاعمال الفنيه للمشروع وبمعاينة العينات المقدمه من الشركة قد رات اللجنة الاتي :
- لا مانع من الاعتماد علي أن يتم التوريد من خلال المصنع نفسه او من خلال وكيل معتمد مع حفظ كافة أوامر التوريد ولا يتم التوريد الا بعد المعايير والاختبار والفحص الروتيني بالمصنع مع حفظ حق الاستشاري بعمل اي اختبارات في معامل خارجيه علي نفقة الشركة وذلك قبل أو بعد التوريد .
 - يقوم المقاول باستيفاء جميع ملاحظات الاستشاري المذكوره بطلب الاعتماد المرفق مع المحضر لكل مورد بطلب الاعتماد .

| | | |
|----|----|----|
| -3 | -2 | -1 |
| -6 | -5 | -4 |
| | | -7 |

يعتمد رئيس اللجنة :



New Army Stadium - Olympic City 459

Owner : Engineering Authority of Armed forces

Client Supervision Consultants :
ACE Consulting Engineers Moharram-Bakhom & Shaker Consultancy Group

Local Consultant :COSMOS Engineers, and consultants

Contractor : Oracom construction -Egypt

Material Submittal Form (MSF)

Architectural Structural Electrical Mechanical HVAC Plumbing & Fire Others

NUMBER : EICOG-OC-ME-MA-ME-00083 Document Number: NCNAS-OC-MA-GEN_GEN-GN-7059-01
DATE : 27-Feb-21

Catalogues Samples Prequalifications Certificates Data sheets

Material Description **Galvanize and Black steel Duct Work**

Drawing/Spec/BOQ Ref _____
Country of Origin **Egypt**
Manufacturer **Duct Professional**
Supplier **Duct Professional**

Submitted By :
Engineer _____
Eng : _____

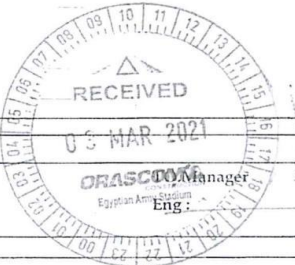
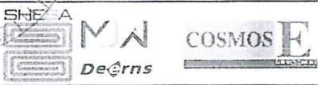
Consultant

Approved **Approved as noted** Revise & Resubmit Reject

Comment : **Refer to attached comments.**

Name Position Signature / Date

[Signature] **SHAKER CONSULTANCY GROUP** *[Signature]*





SHAKER
CONSULTANCY GROUP

شاكِر
المجموعة الاستشارية

| | |
|------------------|-------------------------------------|
| PROJECT | 20018-New Capital Stadium Cairo |
| SUBMITTAL NUMBER | EICOG-OC-ME-MA-ME-00083 |
| DOCUMENT NUMBER | NCNAS-OC-MA-GEN-GEN-GN-7059-01 |
| SUBJECT | Galvanize and black steel duct work |
| Manufacturer | Duct professional |
| SUPPLIER: | Duct professional, Egypt. |
| Revision | 01 |
| Specs Ref | - |
| Code | APPROVED AS NOTED (B) |
| DATE | 2 /3/2021 |

ملاحظات اعمال التكيف والتهوية من مجموعه الاستشاريه شاكِر (B)CODE:

اولا : الصاج المجلفن:

- 1- المصنّع ليس من ضمن قائمة المصنّعين المعتمدة من الهيئة الهندسية للقوات المسلحة.
 - 2- تم المراجعة فنياً طبقاً لامر الموقع رقم (ELCOG-ME-OC-SO-048).
 - 3- على المقاول تقديم ورقة الامتثال (COMPLINCE SHEET) مطابقة للمواصفات الخاصة بالمشروع.
 - 4- يجب ضبط تقويل علب الصاج للعيّنة المقدمة عند منطقة ال (DUCT CORNER) وذلك للحفاظ على درجة الجلفنة المطلوبة للصاج.
 - 5- طريقة تجميع الصاج (TDF) للعيّنة المقدمة غير موجودة بطنّب الاعتماد المقدم.
 - 6- يجب عمل اختيار لنوعية وشكل الصاج المستخدم بالمشروع بال (DATA SHEET) المرفقة حيث يوجد انواع لن تستخدم بالمشروع.
 - 7- يجب التأكيد على ان تكون إكمانيات وماكينيات المصنّع المقدم للاعتماد مؤهلة لطبيعة وحجم اعمال الصاج بالمشروع.
 - 8- يجب ان يكون هناك استيكر على جميع العلب الموردة للموقع موضح عليه كافة بيانات علب الصاج من (رقم علب الصاج - ارقام المعدات - ابعاد العلب- السمكالخ).
 - 9- سيتم اخذ عينة من كل امر توريد للصاج لتحليلها بجهة محايدة للتأكد من مطابقتها للمواصفات.
 - 10- ريشن التوجيه الخاص بالاكواع يجب ان تكون وفقاً للتفاصيل الميكانيكية المعتمدة.
 - 11- سمك الصاج المستخدم في التصنيع يجب ان يكون بناء على ابعاد علب الصاج وايضا قيمة ضغط الهواء بالصاج وذلك وفقاً لمواصفات المشروع والتفاصيل الميكانيكية وايضا كود التصنيع SAMACNA .
 - 12- يجب مراعاة الاشتراطات الخاصة بالكود SAMACNA اثناء تصنيع وتجميع علب الصاج.
 - 13- شيت الصاج المستخدم ودرجة جلفنته يجب ان يكون وفقاً للاعتماد EICOG-OC-ME-MA-ME-00040.
- الصادر من الجهة المالكة.
- 14- يجب مراعاة سمك العزل الداخلى للصاج وذلك اثناء تصنيع علب الصاج بحيث لا يؤثر على ابعاد العلب المعتمدة .
 - 15- جميع الاكسسوارات الخاصة بتجميع علب الصاج (جوانات - سيلكون - فوستر - عزل داخلى.....الخ) يجب ان يتم تقديمها للاعتماد.

CAIRO: 2075-2078 Meraaj City, Ring Road,
Maadi, cairo,
cairo, Egypt. Tel.:+202-2520 4500. Fax: +202-2520 4505

Address: Al-Marj Ring Road
Nazlet Al-Qalaj

Duct.Proffisional@gmail.com

+001228251760
+00 1141795638



ثانيا : الصاج الاسود:

- 1- المصنّع ليس من ضمن قائمة المصنّعين المِعتمَدة من الهيئة الهندسية للقوات المسلحة.
 - 2- تم المراجعة فنياً طبقاً لامر الموقع رقم (ELCOG-ME-OC-SO-048).
 - 3- على المقاول تقديم ورقة الامتثال (COMPLINCE SHEET) مطابقة للمواصفات الخاصة بالمشروع.
 - 4- يجب ضبط اللحام الخاص بعلب الصاج حيث يوجد مناطق غير مكتملة اللحام وكذلك لم يتم عمل طبقة اللحام النهائية للعينة المقدمة.
 - 5- يجب توفير شهادات الحديد المستخدم في تصنيع علب الصاج.
 - 6- سمك الصاج المستخدم في التصنيع يجب وفقاً للعينة المقدمة والتفاصيل الميكانيكية وايضا كود التصنيع SAMACNA.
 - 7- يجب مراعاة الاشتراطات الخاصة بالكود SAMACNA اثناء تصنيع وتجميع علب الصاج.
 - 8- المسافات بين مسامير التجميع يجب ان تكون متوافقة مع ابعاد علب الصاج.
 - 9- تقفيل علب الصاج للعينة المقدمة غير منضبطة في بعض الاماكن.
 - 10- يجب عمل اختيار لشكل الصاج المستخدم بالمشروع بال (DATA SHEET) المرفقة حيث يوجد انواع لن تستخدم بالمشروع.
 - 11- دهان الصاج او عدمة يجب ان يكون متوافق مع طبيعة عمل الصاج ودرجات الحرارة للدخان المار بالصاج.
 - 12- يجب التأكيد على ان تكون امكانيات وماكينات المصنّع المقدم للاعتماد مؤهلة لطبيعة وحجم اعمال الصاج بالمشروع.
 - 13- جميع الاكسسوارات الخاصة بتجميع علب الصاج (جوانات - سيلكون - وصلات مرنة الخ) يجب ان يتم تقديمها للاعتماد.
 - 14- ريش التوجيه الخاص بالاكواع يجب ان تكون وفقاً للتفاصيل الميكانيكية المعتمدة.
 - 15- يجب ان يكون هناك استيكر على جميع العلب الموردة للموقع موضح عليه كافة بيانات علب الصاج من (رقم علب الصاج - ارقام المعدات - ابعاد العلب- السمك الخ)
- ملاحظة عامة : يجب تلافى جميع الملاحظات السابقة قبل توريد المواد للموقع.





Associated Consultant
المستشارون المحدودون
الذين هم مطبقون
المستشارون المتخصصون

Alamein
ALAMEIN CITY

(Sub. Contractor Confirm)

طلب اعتماد مقاول باطن

| | | | | |
|--|--|---|----------------------------|--|
| اي اس جي سي للإتصالات ASGC Construction | | من المقاول العام : | المستشارون المتخصصون AC | إلى الإستشاري :- |
| رقم الطلب | التاريخ | الإصدار | ADTE-ASGC-AC-PROJ-0108 | 15-Jul-2021 |
| الموضوع | المرفقات | | Duct International HVAC | A4 S3 مرفق |
| نوع الاعمال | الإنشاء | معماري | كهرباء | ميكانيكا |
| م | البيان / الوصف | عدد النسخ | المصنع / المقاول المنفذ | روبي المواصفات |
| 1 | Company profile | 1 | Duct International | اعتماد الإستشاري |
| المقاول | | | | |
| مدير المشروع م/ محمد الرفاعي | | مدير الكبر وميكانيكا م/ ياسر حسن | | مدير تنفيذ الميكانيكا م/ مينا مملوح |
| استلام الإستشاري | بواسطة | التوقيع | بتاريخ | |
| ملاحظات الإستشاري: يتم تسليم خبره والى حد مني لفراصة والاعتماد النهائي من المالك | | | | |
| الإستشاري المختص: الاعتماد بواسطة: م/ ياسر حسن | | | | |
| مستند | ج | بماد التقديم مرة اخرى بعد اتمام الملاحظات | ب | متمتع مع ملاحظات - يمكن المقاول ان يستمر بناما على الملاحظات |
| اعتماد الإستشاري | الاسم: م/ | التاريخ | د | الطلب مرفوض |
| اعتماد المالك | الاسم: م/ | التاريخ | | |
| ملاحظات المالك | Associated Consultant Code A Approved Code B Approved With Comment Code C Revised & Resubmit Code D Rejected FYI For Your Information | | | |
| استلام المقاول: | التاريخ | | | |
| الاسم | التاريخ | | | |



#DUCT PROFESSIONAL
#SUB (LO-OC-ECG-MSL-ME-0095)
CODE (C) Revise and resubmit

1. Complete technically submittal shall be provided including mill test certificates for fabricated sheet metal , fabrication details , production volume
2. Complete technical submittal shall be provide include SPECS, compliance sheet, selected model as per SPECS, test certificated (3rd party).
3. All test certificates shall be attached with shlpment (third party tests for galvanized steel sheet metals)
4. Sample for final selected model shall be provided for technical review and final approval.
5. Galvanized steel shall be (275 gram/m2 galvanization rate for both sides).
6. Duct with galvanization rate 275 gm/Sqm shall be used as per material submittal approval , all required document shall be attached (approved sheet metal technical submittal ,sheet metal MTC – country of origin – galvanization rate certificate -....)

EGC ENGINEERING CONSULTANTS GROUP S.A.
C:REVISE AND RESUBMIT
 WORK SHALL NOT PROCEED
 By *[Signature]* Date *02/19/10*

Engr. / Bardes Hamdy
Technical Office - Mechanical

Building 2, Block 19, El Salarrat District, Near City, Cairo, Egypt, 11785
Mailing Address: P.O.Box 1167 Cairo 11511 - Egypt
Phone: (+202) 2352 4740 | Fax: (+202) 2352 8748
e-mail: ecg@ecggsa.com www.ecggsa.com





HASSAN ALLAM
CONSTRUCTION

ECG
ENGINEERING CONSULTANTS GROUP S.A.



طلب اعتماد مواد

| | | |
|----------------------|---|--|
| رقم الطلب: Rev.00 | المالك : هيئة المجتمعات العمرانية | مشروع الحي السكنى R05 – (Zone-06) بالعاصمة الإدارية الجديدة |
| MS/R5/Z6/ARCH /0354 | الإستشاري: جماعة المهندسين الإستشاريين ECG | المقاول : H.A.Construction |
| صفحة 1/1 | التاريخ : 2022-1-30 | |

1. قسم التقديم:

| | | | | | | |
|---------------------------------|--|---------------------------------|---|--------------------------------|-------------------------------|-------------------------------|
| <input type="checkbox"/> انشائي | <input checked="" type="checkbox"/> معماري | <input type="checkbox"/> كهرباء | <input checked="" type="checkbox"/> صحي | <input type="checkbox"/> تكييف | <input type="checkbox"/> حريق | <input type="checkbox"/> اخرى |
|---------------------------------|--|---------------------------------|---|--------------------------------|-------------------------------|-------------------------------|

2. صفة التقديم:

| | | | | | | | |
|---|--------------------------------|---|--------------------------------|---|---------------------------------|---|--|
| 1 | <input type="checkbox"/> عينات | 2 | <input type="checkbox"/> خامات | 3 | <input type="checkbox"/> كتالوج | 4 | <input checked="" type="checkbox"/> اخرى |
|---|--------------------------------|---|--------------------------------|---|---------------------------------|---|--|

3. التقديم بالغرض



للطعم للاعتماد اخرى

4. الموقع:

المنطقة : Zone-06

5. تفاصيل التقديم: نظام جمع القمامة Garbage Chute

| م | البيان/ الوصف | المصنع / المورد | ارقام مراجع المستندات | عدد النسخ | مراجع العقد | كود الإعتاد |
|---|---------------|-------------------|-----------------------|-----------|--------------------|-------------|
| 1 | Garbage Chute | Professional Duct | | 2 | المقايسة اللوحة | B |

ملاحظات المقاول : مرفق سابقه اعمال الشركة و تعريف الشركة و المواصفات الفنية للمواد المستخدمة

| | |
|---|--|
| مدير المكتب الفنى المهندس حسام خالد التوقيع: | مدير المشروع المهندس حسين عجاج التوقيع: |
|---|--|

ملاحظات الإستشاري:

| | |
|-------------------------------------|---------------------------------------|
| <input type="checkbox"/> | (A) معتمد |
| <input checked="" type="checkbox"/> | (B) معتمد مع ملاحظات |
| <input type="checkbox"/> | (C) يعاد تقديمه بعد استيفاء الملاحظات |
| <input type="checkbox"/> | (D) مرفوض ولا يعاد تقديمه |

* The supplier "Duct professional" is approved as per submittal.

2 * The Material items (6, 7, 8, 9) are missing should be submittal for.

3- The Hopper Door & intake (stain steel 304) should be submitted as samples for approval.

4 * The final approval subject to the contractor Rectify All Comments

5- Refer to the comments attachment on Data sheet

| | |
|--|---|
| <p>التاريخ: 1.07.2022</p> <p>استلام المقاول بعد المراجعة</p> <p>الاسم:</p> <p>التوقيع:</p> | <p>التاريخ: 30 JAN 2022</p> <p>استلام الإستشاري</p> <p>الاسم:</p> <p>التوقيع:</p> |
|--|---|



ASGC

EGC
ENGINEERING CONSULTANTS GROUP S.A.



طلب اعتماد مواد

| | | |
|----------------------|---|---|
| رقم الطلب: Rev.00 | مالك: هيئة المجتمعات العمرانية | مشروع الحي السكني R05 - (Zone 3) بالعاصمة الإدارية الجديدة |
| MS/RS/Z03/Mech/0748 | الإستشاري: جماعة المهندسين الإستشاريين ECG | المقاول: ASGC Construction |
| صفحة 1/1 | التاريخ: 2022 / 02 / 14 | |

| | | | | | | | |
|--------------|---------------------------------|---------------------------------|---------------------------------|------------------------------|--------------------------------|-------------------------------|--|
| قسم التقديم: | <input type="checkbox"/> انشائي | <input type="checkbox"/> معماري | <input type="checkbox"/> كهرباء | <input type="checkbox"/> صحي | <input type="checkbox"/> تكييف | <input type="checkbox"/> حريق | <input checked="" type="checkbox"/> اخرى |
|--------------|---------------------------------|---------------------------------|---------------------------------|------------------------------|--------------------------------|-------------------------------|--|

| | | | | |
|--------------|---------|---------|----------|--------|
| صفة التقديم: | 1 عينات | 2 خامات | 3 كتالوج | 4 اخرى |
|--------------|---------|---------|----------|--------|

| | | | |
|-----------------|--------------------------------|--|-------------------------------|
| التقديم بالفرض: | <input type="checkbox"/> للعلم | <input checked="" type="checkbox"/> للاعتماد | <input type="checkbox"/> اخرى |
|-----------------|--------------------------------|--|-------------------------------|

المبنى:

الموقع:
المنطقة: R5

5. تفاصيل التقديم:

| البيان/وصف | المتعدد/مواد | رقم مراجع مستندات | عدد نسخ | اللوح | المقاييس | مواصفات | الإعداد |
|---|-------------------|-------------------|---------|-------|----------|---------|---------|
| Stainless-Steel Garbage Chute 600 mm | Duct Professional | | 2 | - | 15880 | 15880 | B |

ملاحظات المقاول:

• مرفق عدد (2) كتالوج.

مهندس المكتب الفني

الاسم: M.A.

التوقيع: M.A.

ملاحظات الإستشاري:

| | | |
|--|-----|--|
| <input type="checkbox"/> معتمد | (A) | 1- The Manufacture "Duct Professional" |
| <input checked="" type="checkbox"/> معتمد مع ملاحظات | (B) | is approved |
| <input type="checkbox"/> يعاد تقديمه بعد استيفاء الملاحظات | (C) | |
| <input type="checkbox"/> مرفوض ولا يعاد تقديمه | (D) | 2- The contractor should be followed the comments attached |

التاريخ: 20...12...2022

التوقيع: كشاح

الاسم: سيد الشاشي

3 - The intake and hopper door samples should be submitted

| | |
|-----------------------------|----------------------|
| استلام المقاول بعد المراجعة | استلام الاستشاري |
| الاسم: ASGC | الاسم: M.A. |
| التوقيع: 22 FEB 2022 | التوقيع: 14 FEB 2022 |
| RS PROJECT RECEIVED | |



ORASCOM
CONSTRUCTION

مجموعة استشاريين للمهندسين
ENGINEERING CONSULTANTS GROUP S.A.



طلب اعتماد مواد

| | | |
|---|---|--|
| رقم الطلب: MS/R5/Z01/AR/0202 Rev.00 | المالك: هيئة المجتمعات العمرانية | مشروع الحي السكني R05 - (Zone 01) بالعاصمة الإدارية الجديدة |
| التاريخ: 2022 /2/23 | الإستشاري: جماعة المهندسين الإستشاريين ECG | المقاول: شركة أوراسكوم للإشاعات |

1. قسم التقديم:

| | | | | | | | | |
|---------------------------------|---|---------------------------------|------------------------------|--------------------------------|-------------------------------|--|------------------------------|-------------------------------|
| <input type="checkbox"/> انشائي | <input checked="" type="checkbox"/> مصاري | <input type="checkbox"/> كهرباء | <input type="checkbox"/> صحي | <input type="checkbox"/> تكييف | <input type="checkbox"/> حريق | <input checked="" type="checkbox"/> ميكانيكا | <input type="checkbox"/> طرق | <input type="checkbox"/> اخرى |
|---------------------------------|---|---------------------------------|------------------------------|--------------------------------|-------------------------------|--|------------------------------|-------------------------------|

2. صفة التقديم:

| | | | | | | | |
|---|--------------------------------|---|---|---|---------------------------------|---|--|
| 1 | <input type="checkbox"/> عينات | 2 | <input checked="" type="checkbox"/> خامات | 3 | <input type="checkbox"/> كتالوج | 4 | <input checked="" type="checkbox"/> اخرى |
|---|--------------------------------|---|---|---|---------------------------------|---|--|

3. التقديم بالفرض

| | | |
|--------------------------------|--|-------------------------------|
| <input type="checkbox"/> للعلم | <input checked="" type="checkbox"/> للاعتماد | <input type="checkbox"/> اخرى |
|--------------------------------|--|-------------------------------|

4. الموقع:

المنطقة (الكود): Z01 (General) التجمع: المبنى / الطريق:

5. تفاصيل التقديم:

| م | البيان/ الوصف | المُصنع / المورد | ارقام مراجع المستندات | عدد الترخ | مراجع العقد | كود الاعتماد |
|---|----------------------|-------------------|-----------------------|-----------|-------------|--------------|
| | | | النوع | المقايضة | مواصفات | |
| 1 | Garbage Chute System | Duct Professional | | 2 | 14560 | |

ملاحظات المقاول:

Company Profile • Data Sheets • Compliance Sheet •

| | | |
|---|-------------------------|---|
| مدير المكتب الفني الأسم: التوقيع: | Fady Samir 23/2/2022 | مهندس المكتب الفني الأسم: ميخائيل جرجس التوقيع: |
|---|-------------------------|---|

ملاحظات الإستشاري:

| | |
|-------------------------------------|---------------------------------------|
| <input type="checkbox"/> | (A) معتمد |
| <input checked="" type="checkbox"/> | (B) معتمد مع ملاحظات |
| <input type="checkbox"/> | (C) يعاد تقديمه بعد استيفاء الملاحظات |
| <input type="checkbox"/> | (D) مرفوض ولا يعاد تقديمه |

23/2/2022 mech. - Code (B)
Approved as noted inside
د. محمد توفيق

على الامتناع من اعتماد المواد المراد المراجعة - 12/3/2022
3/2022



| | |
|---|--|
| استلام المقاول بعد المراجعة الأسم: التوقيع: | استلام الاستشاري الأسم: التوقيع: |
|---|--|





SAMCRETE
ENGINEERS & CONTRACTORS - S.E.C

ECG
ENGINEERING CONSULTANTS GROUP S.A.



طلب إعتامد مواد

| | | |
|--|---|---|
| رقم الطلب: Rev.00 | المالك : هيئة المجتمعات العمرانية | مشروع الحي السكني R05 - (Zone 8) |
| التاريخ: ٢٠٢١/١٢/٢٩ | الإستشاري: جماعة المهندسين الإستشاريين ECG | بالعاصمة الإدارية الجديدة المقاول : شركة سامكريت - مهندسون ومقاولون |
| صفحة ١/١ | | |
| ١. قسم التقديم: | | |
| <input checked="" type="checkbox"/> معماري | <input type="checkbox"/> كهرباء | <input type="checkbox"/> صحي |
| <input type="checkbox"/> تنكيف | <input type="checkbox"/> حريق | <input type="checkbox"/> أخرى |
| ٢. صفة التقديم: | | |
| <input type="checkbox"/> عينات | <input type="checkbox"/> خامات | <input type="checkbox"/> كتالوج |
| <input type="checkbox"/> أخرى | <input type="checkbox"/> ٤ | <input type="checkbox"/> أخرى |
| ٣. التقديم بالعرض: | | |
| <input type="checkbox"/> للعلم | <input checked="" type="checkbox"/> للاعتامد | <input type="checkbox"/> أخرى |
| ٤. الموقع : المنطقة ٨ | | |
| التجمع : المبنى : | | |

| كود الإعتامد | مراجع العقد | عدد | ارقام مراجع المستندات | المصنع / المورد | البيان/ الوصف |
|--------------|-------------|-----|-----------------------|-------------------|--|
| ١٤٥٦٠ | المقاييس | ٢ | | شركة دكت بروفيشنل | نظام جمع القمامة (GARBAGE SHUTE) وفق الآتي: |
| | المواصفات | | | | نظام جمع القمامة (GARBAGE SHUTE) |

ملاحظات المقاول : المواد مقدمه لزوم نظام جمع القمامة
مرفوق : مكونات النظام + طرق تطبيق النظام + المواصفات الفنية للمواد + مقارنه للمواصفات الفنية للمواد بالمواصفات المطلوبه
طلب الإعتامد يشمل المصنع / المورد

29 DEC 2021

مدير المكتب الفني
الاسم : مصطفى خطيب
التوقيع :

مهندس المكتب الفني
الاسم : باسم فارس
التوقيع :

- ملاحظات الإستشاري:
- (A) - The "Duct professional" as Manufacture is accepted
- (B) - The sample of " intake and Hopper Door " should be submitted as Black steel with Galapungid
- (C) - Refer to the Comments attached at Data sheets
- (D) - The Contractor should be achieved The specification warranty

التاريخ 5... 11 / 12 2022

التوقيع :

الاسم :

| | |
|-----------------------------|------------------|
| استلام المقاول بعد المراجعة | استلام الاستشاري |
| الاسم : | الاسم : |
| التوقيع : | التوقيع : |

09 JAN 2023

RECEIVED
29 DEC 2021



ORASCOM
CONSTRUCTION

EGC
ENGINEERING CONSULTANTS GROUP S.A.



طلب اعتماد مواد

| | | |
|---|--|--|
| رقم الطلب: MS/R5/Z01/ME/0167 Rev.00 | المالك : هيئة المجتمعات العمرانية | مشروع الحي السكني R05 - (Zone 01) بالعاصمة الإدارية الجديدة |
| التاريخ : 2022 / 8 / 21 | الإستشاري : جماعة المهندسين الإستشاريين EGC | المقاول : شركة أوراسكوم للإشاعات |

1. قسم التقييم:

الشاسي معسزي كهرباء صني ميكانيكا حريق شبكات طرق أخرى

2. صفة التقييم:

1 عتبات 2 خامات 3 كتلوج 4 أخرى

3. التقييم والقرض:

للعلم للاعتماد أخرى

4. الموقع:

المحافظة (الكود) : 201 (General) التجمع : المبنى / الطريق :

5. تفاصيل التقييم:

| م | البيان / الوصف | المورد / المنتج / المستندات | رقم مراجع المستندات | عدد النسخ | مراجع العقد | كود الاعتماد |
|---|-----------------------------|---------------------------------|---------------------|-----------|-------------|--------------|
| B | Painting for Garbage Chutes | BPC Egypt/PPG Duct Professional | | 2 | 14560 | |

ملاحظات المقاول:

Certificates: PDA SIGMACOVER 6206350

Compliance sheet
Painting working procedure

مهندس المكتب الفني
الاسم: ميكائيل جرجس
التوقيع:

مدير المكتب الفني
الاسم:

ملاحظات الإستشاري:

21/8/2022

(A) معتمد

(B) معتمد مع ملاحظات

(C) بعد التقدير بعد استبقاء الملاحظات

(D) مرفوض ولا بعد تكمينه

شركة القائمة بطلب اعتماد لبيوتها والإقتنارات BPC صنفه قنيا

بإدارة الإبيوك بتمه شركة SIGMA كما هو مرفوع معتمدا قنيا
على إتمامه تصحيح عينة للتحقق لظاهري والإعتماد مع الإلتزام بالمواصفات على أنه يمكن إحصاءه
الرافعة سجل لا يقبله - - - - - بكونه ورضا به قاضي سجل لا يقبله - - - - - بكونه

التاريخ: 29.1.08.19422

الاسم:

استلام المقاول بعد المراجعة

استلام الإستشاري

الاسم:

التوقيع:

3 8 AUG 2022
ORASCOM



← MS-R5-Z01-ME-001...  

ORASCOM CONSTRUCTION ECG **مركز الاستشارات الهندسية**
ENGINEERING CONSULTANTS GROUP S.A.

طلب اعتماد مواد

| | | |
|--|---|--|
| رقم الطلب MS/RS/Z01/ME/0164 Rev.00 | المالك : هيئة المجتمعات العمرانية | مشروع الحي السكني R05 - (Zone 01) بالعاصمة الإدارية الجديدة |
| التاريخ : 2022 / 7 / 27 | الإستشاري: جماعة المهندسين الإستشاريين ECG | المقاول : شركة اوراسكوم للإشادات |

1. **نوع التثبيت:**
 الشاسي مصاري كهرباء صحي تكييف حريق شبكات طرق أخرى

2. **صفة التثبيت:**
 1 عجلات 2 خامات 3 كتلوج 4 أخرى

3. **التقديم بالقرض:**
 التظلم للاعتماد الأخرى

4. **الموقع:** المنطقة (الكود): 201 (Orient) التجمع: البناية / الطريق:

5. **تفاصيل التثبيت:**

| م | البيان / الوصف | المصنع / المورد | الرقم مرجع المستندات | عدد التبع | الوح | مراجعة المقدم | كود الإصدار |
|---|------------------------|-------------------|----------------------|-----------|------|---------------|-------------|
| | Galvanized sheet Metal | Duct Professional | | 2 | | | 15880 |

ملاحظات المارول: Tests and Certificate • Previous approvals • Reference List • Data Sheet • Letter from ECG # 1010 •

مهندس المكتب الفني: *Fady Samir* التوقيع: *Fady Samir* التاريخ: *27/7/2022*
 مدير المكتب الفني: *A. Mohamed* التوقيع: *A. Mohamed* التاريخ: *27/7/2022*

ملاحظات الإستشاري:
 (A) معتمد
 (B) معتمد مع ملاحظات
 (C) بعد تقيده بعد استلام الملاحظات
 (D) مرادف ولا بعد تقيده

الاستاذة "Duct professional" معتمد من قبل
 - معتمد استلام تقديم عينات "intake off"
 - نظام "duct box" معتمد من المارول
 - معتمد من قبل "مركز الاستشارات"

الاسم: *محمد الحناوي* التوقيع: *محمد الحناوي* التاريخ: *28.7.2022*

استلام المقاول بعد المراجعة
 الاسم: التوقيع:
 استلام الاستشاري
 الاسم: التوقيع:
 التاريخ: 27 JUL 2022



مشروع
الحي الأثري

بماعة الاستشاريين
ENGINEERING CONSULTANTS GROUP S.A
الإستشاري: جماعة المهندسين الإستشاريين



(Submittal - DOC)

طلب اعتماد مستندات

| | | | |
|------------------|------------------------------------|--------------------|---------|
| إلى الإستشاري :- | جماعة المهندسين الإستشاريين ECG | من المقاول العام : | سامكريت |
|------------------|------------------------------------|--------------------|---------|

| | | | | | |
|-------------|--|----------------|--|----------|-----------|
| رقم الطلب | SAM-ECG-DOC-AR-0149 | الإصدار | 0 | التاريخ | 17-Aug-22 |
| الموضوع | اعتماد شركة دكت بروفيشنال لتنفيذ أعمال Garbage Chute | المرفقات | A4 +CD | | |
| المنطقة | 1 | كلاستر | ALL | الدور | |
| نوع الاعمال | إنشائي | معماري | كهرباء | ميكانيكا | مساحة |
| م | 1 | البيان / الوصف | اعتماد شركة دكت بروفيشنال لتنفيذ أعمال Garbage Chute | | |
| عدد النسخ | 3 | | | | |

تعهد المقاول: المستندات المرفقة تتسقيها ومراجعتها من قبل طاقم العمل المقاول وتعتبر قبول الاستخدام قبل المشروع من قبل المقاول

| | | |
|--|--------------|------------------------------------|
| المقاول | المكتب الفني | مدير المكتب الفني م / تامر قلته |
| By | Date | 17 Aug 2022 |
| B: APPROVED AS NOTED | | |
| ENGINEERING CONSULTANTS GROUP S.A. THE LATIN DISTRICT IN NEW AL-AJLAIMIN CITY (Project No. 2604) | | |
| استلام الإستشاري | بواسطة: | التوقيع: |

| | |
|-------------------|---|
| ملاحظات الإستشاري | ليتم تقديم طلب اعتماد مواد مطابقة لمواصفات المشروع مع إرفاقه بجميع شهادات الشركة و contact list وشهادات ISO له وهدت |
|-------------------|---|

| | | | |
|------------------|------------------|----------|---------|
| الإستشاري المختص | الإعتماد بواسطة: | التوقيع: | بتاريخ: |
|------------------|------------------|----------|---------|

- أ معتمد
 ب معتمد مع ملاحظات - يمكن للمقاول ان يستمر بناءا على الملاحظات
 ج يعاد التقديم مرة اخرى بعد اتمام الملاحظات
 د الطلب مرفوض

| | | |
|------------------|------------------|---------|
| اعتماد الإستشاري | م / | بتاريخ: |
| استلام المقاول | الإستلام بواسطة: | بتاريخ: |

التوزيع قبل الاعتماد :

| | |
|----------|-------------|
| المالك : | الإستشاري : |
|----------|-------------|

التوزيع بعد الاعتماد :

| | | |
|--------|----------|-----------|
| المالك | المقاول | الإستشاري |
| مدني | معماري | كهرباء |
| تخطيط | ميكانيكا | تخطيط |
| Q.S | | |



HASSAN ALLAM
CONSTRUCTION

EGC
ENGINEERING CONSULTANTS GROUP S.A.

13/1/2022



طلب اعتماد مواد

| | | |
|---|-----------------------------------|--|
| رقم الطلب: MS/R5/Z6/ARCH /0354 Rev.00 | المالك : هيئة المجتمعات العمرانية | مشروع الحي السكني R05 – (Zone-06) بالعاصمة الإدارية الجديدة |
| صفحة 1/1 | التاريخ : 2022-1-30 | الإستشاري: جماعة المهندسين الإستشاريين ECG |
| | | المقاول : H.A. Construction |

1. قسم التقديم:

| | | | | | | |
|---------------------------------|--|---------------------------------|---|--------------------------------|-------------------------------|-------------------------------|
| <input type="checkbox"/> انشائي | <input checked="" type="checkbox"/> معماري | <input type="checkbox"/> كهرباء | <input checked="" type="checkbox"/> صحي | <input type="checkbox"/> تكييف | <input type="checkbox"/> حريق | <input type="checkbox"/> اخرى |
|---------------------------------|--|---------------------------------|---|--------------------------------|-------------------------------|-------------------------------|

2. صفة التقديم:

| | | | | | | | |
|---|-------|---|-------|---|--------|---|------|
| 1 | عينات | 2 | خامات | 3 | كتالوج | 4 | اخرى |
|---|-------|---|-------|---|--------|---|------|

3. التقديم بالغرض:

| | | |
|--------------------------------|--|-------------------------------|
| <input type="checkbox"/> للعلم | <input checked="" type="checkbox"/> للاعتماد | <input type="checkbox"/> اخرى |
|--------------------------------|--|-------------------------------|

4. الموقع:
المنطقة : Zone-06 التجمع :

5. تفاصيل التقديم: نظام جمع القمامة Garbage Chute

| م | البيان/ الوصف | المصنع / المورد | ارقام مراجع المستندات | عدد النسخ | مراجع العقد | كود الاعتماد |
|---|---------------|-------------------|-----------------------|-----------|-------------|--------------|
| 1 | Garbage Chute | Professional Duct | | 2 | | B |

ملاحظات المقاول : مرفق سابقة اعمال الشركة و تعريف الشركة و المواصفات الفنية للمواد المستخدمة

| | |
|---|--|
| مدير المكتب الفني المهندس حسام خالد التوقيع: | مدير المشروع المهندس حسين عجاج التوقيع: |
|---|--|

ملاحظات الإستشاري:

| | |
|--|-----|
| <input type="checkbox"/> معتمد | (A) |
| <input checked="" type="checkbox"/> معتمد مع ملاحظات | (B) |
| <input type="checkbox"/> يعاد تقديمه بعد استيفاء الملاحظات | (C) |
| <input type="checkbox"/> مرفوض ولا يعاد تقديمه | (D) |

* The supplier "Duct professional" is approved as per submitted.

2 * The Material items (6, 7, 8, 9) are missing should be submitted for app

3- The Hopper Door at intake (stain steel 304) should be submitted as samples for approval.

4 * The final approval subject to the Contractor Rectify All Comments

5- Re Do the comments attachment on Data sheet

اسم :

التوقيع :

اسم :

التوقيع :

اسم :

التوقيع :



SAMCRETE
ENGINEERING CONSULTANTS GROUP S.A.C

ECG **مجموعة شركات الهندسة والبناء**
ENGINEERING CONSULTANTS GROUP S.A.



طلب اعتماد مواد

| | | |
|----------------------|--|--|
| رقم الطلب: Rev.00 | الملك: حيازة المجتمعات السكنية | مشروع الحي السكني R05 - (Zone 8) بالمصاحبة الإدارية الجديدة |
| صفحة: 1/1 | التاريخ: ٢٠٢١/١٢/٢٨ | المقاول: شركة سامكريت - مهندسون ومقاولون |
| | الإستشاري: جماعة المهندسين الإستشاريين ECG | |

١. اسم التقييم:

| | | | | | | |
|---|---------------------------------|---------------------------------|------------------------------|--------------------------------|-------------------------------|--|
| <input checked="" type="checkbox"/> المصنعي | <input type="checkbox"/> الشاهي | <input type="checkbox"/> كبرياء | <input type="checkbox"/> صحي | <input type="checkbox"/> تكليف | <input type="checkbox"/> حريق | <input checked="" type="checkbox"/> اخرى |
|---|---------------------------------|---------------------------------|------------------------------|--------------------------------|-------------------------------|--|

٢. صفة التقييم:

| | | | | | | |
|--------------------------------|----------------------------|--------------------------------|---------------------------------------|--|----------------------------|-------------------------------|
| <input type="checkbox"/> عينات | <input type="checkbox"/> ٢ | <input type="checkbox"/> خدمات | <input checked="" type="checkbox"/> ٣ | <input checked="" type="checkbox"/> كتالوج | <input type="checkbox"/> ٤ | <input type="checkbox"/> اخرى |
|--------------------------------|----------------------------|--------------------------------|---------------------------------------|--|----------------------------|-------------------------------|

٣. التقييم والقرص:

| | | |
|--------------------------------|--|-------------------------------|
| <input type="checkbox"/> للعلم | <input checked="" type="checkbox"/> للاعتماد | <input type="checkbox"/> اخرى |
|--------------------------------|--|-------------------------------|

٤. الموقع:

| | | |
|--------------------|--------------|---------------|
| المنطقة: المنطقة ٨ | التجمع: عمام | العنوان: عمام |
|--------------------|--------------|---------------|

٥. تفاصيل التقييم:

| م | البيان/الوصف | المصنع / المورد | ارقام المستندات | عدد الترخيص | مراجع العقد | كود الاعتماد |
|---|---|-------------------|-----------------|-------------|-------------------|--------------|
| | نظام جمع القمامة (GARBAGE SHUTE) وفق الآتي: | | | | | |
| ١ | نظام جمع القمامة (GARBAGE SHUTE) | شركة نكت بروفيسنل | | ٧ | المواصفة القياسية | ١١٥٦٠ |

ملاحظات المقاول: المورد مقدمه لزوم نظام جمع القمامة
مرفق: مكونات النظام، طرق تطبيق النظام - المواصفات الفنية للمواد - مقارنته للمواصفات الفنية للمواد بالمواصفات المطلوبة.
طلب الاعتماد يشمل المصنع / المورد
مهندس المكتب الفني
الاسم: باسم فارس
التوقيع:

ملاحظات الاستشاري:
مهندس المكتب الفني
الاسم: حسنين بطرس
التوقيع:

١٤:٥٤ 2021

- (A) - The "Duct professional" as Manufacture is accepted
(B) - The sample of "intake and Hopper Door" should be uniform like as Black steel with the Catalogue id
(C) - Refer to the Comments attached at water sheet
(D) - The Contractor should be included the manufacturer warranty

اسم: باسم فارس
التوقيع:
5/1/2022

استلام المقاول للمواد
الاسم:
التوقيع:

استلام الاستشاري
الاسم:
التوقيع:



HASSAN ALLAM
CONSTRUCTION

EGC
ENGINEERING CONSULTANTS GROUP S.A.



طلب اعتماد مواد

| | | |
|---|---|---|
| رقم الطلب: MS/R5/Z6/ARCH /0354 Rev.00 | المالك : هيئة المجتمعات العمرانية | مشروع الحي السكني R05 - (Zone-06) بالمعاصرة الإدارية الجديدة |
| التاريخ : 2022-1-30 | الإستشاري: جماعة المهندسين الإستشاريين EGC | المقاول : H.A.Construction |
| صفحة 1/1 | | |

| | | | | | | |
|---------------------------------|--|---------------------------------|---|--------------------------------|-------------------------------|-------------------------------|
| <input type="checkbox"/> انشائي | <input checked="" type="checkbox"/> معماري | <input type="checkbox"/> كهرباء | <input checked="" type="checkbox"/> صحي | <input type="checkbox"/> تكييف | <input type="checkbox"/> حريق | <input type="checkbox"/> اخرى |
|---------------------------------|--|---------------------------------|---|--------------------------------|-------------------------------|-------------------------------|

| | | | | | | | |
|---|--------------------------------|---|--------------------------------|---|--------------------------------|---|--|
| 1 | <input type="checkbox"/> عينات | 2 | <input type="checkbox"/> خامات | 3 | <input type="checkbox"/> كتلوج | 4 | <input checked="" type="checkbox"/> اخرى |
|---|--------------------------------|---|--------------------------------|---|--------------------------------|---|--|

| | | |
|--------------------------------|--|-------------------------------|
| <input type="checkbox"/> للعلم | <input checked="" type="checkbox"/> للاعتماد | <input type="checkbox"/> اخرى |
|--------------------------------|--|-------------------------------|



| | |
|--------------------|----------|
| الموقع: Zone-06 | التجمع : |
|--------------------|----------|

5. تفاصيل التقديم: نظام جمع القمامة Garbage Chute

| م | البيان/ الوصف | المُصنَع / المورد | ارقام مراجع المستندات | عدد النسخ | مراجع العقد اللوح المقايسة مواصفات | كود الاعتماد |
|---|---------------|-------------------|-----------------------|-----------|---------------------------------------|--------------|
| 1 | Garbage Chute | Professional Duct | | 2 | | B |

ملاحظات المقاول : مرفق سابقة اعمال الشركة و تعريف الشركة و المواصفات الفنية للمواد المستخدمة

| | |
|--|--|
| مدير المكتب الفني المهندس حسام خالد التوقيع : | مدير المشروع المهندس حسن عجاج التوقيع : |
|--|--|

ملاحظات الإستشاري:

| | |
|-------------------------------------|---------------------------------------|
| <input type="checkbox"/> | (A) معتمد |
| <input checked="" type="checkbox"/> | (B) معتمد مع ملاحظات |
| <input type="checkbox"/> | (C) يعاد تقديمه بعد استيفاء الملاحظات |
| <input type="checkbox"/> | (D) مرفوض ولا يعاد تقديمه |

* The supplier "Duct professional" is approved as per submitted.

2 * The Material items (6, 7, 8, 9) are missing should be submitted for.

3- The Hopper Door & intake (stain steel 304) should be submitted as samples for approval.

4 * The final approval subject to the Contractor Rectify All Comments

5- Refer to the comments attachment on Data sheet

| | |
|---|--|
| استلام المقاول بعد المراجعة الاسم : التوقيع : | استلام الإستشاري الاسم : التوقيع : |
|---|--|





ASGC

EGC ENGINEERING CONSULTANTS GROUP S.A.



طلب اعتماد مواد

| | | |
|----------------------|---|---|
| رقم الطلب: Rev.00 | مالك : هيئة المجتمعات العمرانية | مشروع الحي السكني R05 - (Zone 3) بالعاصمة الإدارية الجديدة |
| MS/R5/Z03/Mech/0748 | الإستشاري: جماعة المهندسين الإستشاريين ECG | المقاول: ASGC Construction |
| صفحة 1/1 | التاريخ : 2022 / 02 / 14 | |

1. قسم التقديم:

| | | | | | | |
|---------------------------------|---------------------------------|---------------------------------|------------------------------|--------------------------------|-------------------------------|--|
| <input type="checkbox"/> انشائي | <input type="checkbox"/> معماري | <input type="checkbox"/> كهرباء | <input type="checkbox"/> صحي | <input type="checkbox"/> تكييف | <input type="checkbox"/> حريق | <input checked="" type="checkbox"/> اخرى |
|---------------------------------|---------------------------------|---------------------------------|------------------------------|--------------------------------|-------------------------------|--|

2. صفة التقديم:

| | | | | | | | |
|---|-------|---|-------|---|--------|---|------|
| 1 | عينات | 2 | خامات | 3 | كتالوج | 4 | اخرى |
|---|-------|---|-------|---|--------|---|------|

3. التقديم بالغرض

العلم للاعتد اخرى

4. الموقع:

المنطقة : R5

5. تفاصيل التقديم:

| البيان/وصف | رقم المواصفات | رقم المواصفات | عدد | رقم المواصفات | مورد | ملاحظات |
|---|---------------|---------------|-----|---------------|-------------------|---------|
| Stainless-Steel Garbage Chute 600 mm | 15880 | 15880 | 2 | | Duct Professional | |

ملاحظات المقاول:

• مرفق عدد (2) كتالوج.

مهندس المكتب الفني

الاسم:
التوقيع: M.A.

ملاحظات الإستشارة:

1- The Manufacture "Duct Professional" is approved
2- The Contractor should be followed The Comments attached

التاريخ 20...1.2...2022

التوقيع:

الاسم:

3 - The intake and Header Door Samples shall be submitted

| | |
|-----------------------|------------------|
| استلام المقاول للمواد | استلام الاستشاري |
| الاسم: | الاسم: |
| التوقيع: | التوقيع: |





ORASCOM
CONSTRUCTION

مجموعة استشاريين للمهندسين
ENGINEERING CONSULTANTS GROUP S.A.



طلب اعتماد مواد

| | | |
|---|---|--|
| رقم الطلب: MS/R5/Z01/AR/0202 Rev.00 | المالك : هيئة المجتمعات العمرانية | مشروع الحي السكني R05 - (Zone 01) بالعاصمة الإدارية الجديدة |
| التاريخ : 2022 /2/23 | الإستشاري: جماعة المهندسين الإستشاريين ECG | المقاول : شركة أوراسكوم للإشاعات |

1. قسم التقديم:

| | | | | | | | | |
|---------------------------------|--|---------------------------------|------------------------------|--------------------------------|-------------------------------|--|------------------------------|-------------------------------|
| <input type="checkbox"/> انشائي | <input checked="" type="checkbox"/> معماري | <input type="checkbox"/> كهرباء | <input type="checkbox"/> صحي | <input type="checkbox"/> تكييف | <input type="checkbox"/> حريق | <input checked="" type="checkbox"/> ميكانيكا | <input type="checkbox"/> طرق | <input type="checkbox"/> اخرى |
|---------------------------------|--|---------------------------------|------------------------------|--------------------------------|-------------------------------|--|------------------------------|-------------------------------|

2. صفة التقديم:

| | | | | | | | |
|---|--------------------------------|---|---|---|--------------------------------|---|--|
| 1 | <input type="checkbox"/> عينات | 2 | <input checked="" type="checkbox"/> خامات | 3 | <input type="checkbox"/> كتلوج | 4 | <input checked="" type="checkbox"/> اخرى |
|---|--------------------------------|---|---|---|--------------------------------|---|--|

3. التقديم بالغرض:

للطعم للاعتماد اخرى

4. الموقع:

المنطقة (الكرد): Z01 (General) التجمع : المبنى / الطريق :

5. تفاصيل التقديم:

| م | البيان/ الوصف | المُصنَع / المورد | ارقام مراجع المستندات | عدد النسخ | مراجع العقد | كود الإعتداد |
|---|----------------------|-------------------|-----------------------|-----------|-------------------|--------------|
| 1 | Garbage Chute System | Duct Professional | | 2 | المقايمة اللوح | 14560 |

ملاحظات المقاول:

Company Profile • Data Sheets • Compliance Sheet •

| | |
|--|--|
| مهندس المكتب الفني الاسم : ميخائيل جرجس التوقيع : <i>M. Khad</i> | مدير المكتب الفني الاسم : فادي سامير التوقيع : <i>Fady Samir</i> |
|--|--|

ملاحظات الإستشاري:

| | |
|-------------------------------------|---------------------------------------|
| <input type="checkbox"/> | (A) معتمد |
| <input checked="" type="checkbox"/> | (B) معتمد مع ملاحظات |
| <input type="checkbox"/> | (C) يعاد تقديمه بعد استيفاء الملاحظات |
| <input type="checkbox"/> | (D) مفروض ولا يعاد تقديمه |

23/2/2022 mech. - Code (B)
Approved as noted inside

وتم الترخيص

على الامانة اعتماد المراد المعلق
12/3/2022



استلام المقاول بعد
الاسم : *محمد*
التوقيع : *محمد*



استلام الاستشاري
الاسم :
التوقيع :



SAMCRETE
ENGINEERS & CONTRACTORS - S.E.C.O

EGC
ENGINEERING CONSULTANTS GROUP S.A.



طلب إعتقاد مواد

| | | |
|---|--|---|
| رقم الطلب: Rev.00 | المالك : هيئة المجتمعات العمرانية الإستشاري: جماعة المهندسين الإستشاريين EGC | مشروع الحي السكني R05 -- (Zone 8) بالعاصمة الإدارية الجديدة المقاول : شركة سامكرت - مهندسون ومقاولون |
| صفحة 1/1 | التاريخ : ٢٠٢١/١٢/٢٩ | |
| ١. قسم التقديم: <input checked="" type="checkbox"/> معماري <input type="checkbox"/> كهرباء <input type="checkbox"/> صحي <input type="checkbox"/> تكييف <input type="checkbox"/> حريق <input type="checkbox"/> أخرى | | |
| ٢. صفة التقديم: ١. عينات <input type="checkbox"/> ٢. خامات <input type="checkbox"/> ٣. كتالوج <input checked="" type="checkbox"/> ٤. أخرى <input type="checkbox"/> | | |
| ٣. التقديم بالعرض: <input type="checkbox"/> للعلم <input checked="" type="checkbox"/> للاعتقاد <input type="checkbox"/> أخرى | | |
| ٤. الموقع: المنطقة : المنطقة ٨ المبنى : _____ التجمع : _____ | | |

| م | البيان/ الوصف | المورد / المصنع / | ارقام مراجع المستندات | عدد التسخ | اللوح | مراجع العقد | كود الإعتقاد |
|--|--|-----------------------|-----------------------|-----------|-------|-------------|--------------|
| ١ | نظام جمع القمامة (GARBAGE SHUTE) وفق الأتي: | شركة دكت بروفيشنال | | ٢ | | ١٤٥٦٠ | (B) |
| ملاحظات المقاول : المواد مقدمه لزوم نظام جمع القمامة مرفوق : مكونات النظام + طرق تطبيق النظام + المواصفات الفنية للمواد + مقارنة للمواصفات الفنية للمواد بالمواصفات المطلوبه طلب الإعتقاد يشمل المصنع / المورد مهندس المكتب الفني الاسم : باسم فارس التوقيع : _____ | | | | | | | |
| التاريخ : 29 DEC 2021 مدير المكتب الفني الاسم : مصطفى خطيب التوقيع : _____ | | | | | | | |

- ملاحظات الإستشاري: The "Duct professional" as Manufacture is accepted
- The sample of " intake and Mopper Door " should be submitted as Black steel with Galvanizing
- Refer To the Comments attached at Data sheets
- The Contractor should be achieved The specification warranty

التاريخ: 5/1/2022

التوقيع: _____

الاسم: _____

| | |
|---|--|
| استلام المقاول بعد المراجعة الاسم : التوقيع : | استلام الاستشاري الاسم : التوقيع : |
| 09 JAN 2022 Received Engineers & Contractors | RECEIVED 29 DEC 2021 |



Reference List of Our Projects

| |
|---|
| <p>Position: Elzaharaa Old Cairo</p> <p>Project: Chilled Water Air Condition</p> <p>Client: Mar Mena Archbishop.</p> <p>Project manager: Eng. Milad Noshy.</p> <p>Consultant: Contractor: Eng. Magdy Rafla</p> <p>Contractor: St Peter Co.</p> <p>Cost of project: 950,000 Pounds</p> |
| <p>Position: Amwaj Resort Sharm Elsheikh</p> <p>Project: Mini Central Condition System</p> <p>Client: Elmasria Elsauding Group Co.</p> <p>Project Manager: Eng. Mohammed Atta Alla</p> <p>Consultant: Eng. Nabil Haraas.</p> <p>Contractor: St Peter CO.</p> <p>Cost Of Project: 1,000,000 Pounds.</p> |
| <p>Position: Millennium Resort Sharm El Shiekh</p> <p>Project: Ventilation Works</p> <p>Client: Elmasria Elsauding Group Co.</p> <p>Project Manager: Eng. Mohammed Atta Alla.</p> <p>Consultant: Eng. Nabil Haraas.</p> <p>Contractor: St Peter Co.</p> |





Position: Elkorba Misr Elgedea
Project: Centrifugal Air Condition
Client: Evangelical Church Elkorba
Project Manager: Eng. Milad Noshy
Consultant: Eng. Magdy Rafla.
Contractor: St Peter Co.
Cost Of Project: 80,000 Pounds.

Position: 25 Mokbtar Abaza ,Elsalam ,Cairo
Project: Gentrifugal Air Condition
Client: Mr.Sarni Yassa
Project Manager: Eng. Milad Noshy
Contractor: St Peter Co.
Cost Of Project: 500,000 Pounds.

Position: Elzakaziz &Minia Elkamh Archbishopric
Project: Gentrifugal Air Condition
Client: Elzakaziz &Minia Elkamh Archbishopric
Project Manager: Eng. Malak Zariief
Consultant: Eng.Magdy Rafla.
Contractor: St Peter Co..
Cost Of Project: 80,000 Pounds.

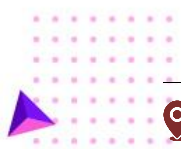




Position: El baron Hotel Heliopolis
Project: Replacement And Renewal Ac Equipment
Client: Ei baron Hotel
Project Manager: Eng. Milad Noshy
Consultant: Eng. Magdy Rafla.
Contractor: St Peter Co.
Cost Of Project: 150,000 Pounds.

Position: Amwaj Resort Sharmel sheikh
Project: Mini Central Condition Sys Tern
Client: Elmasria Elsauding Group Co.
Project Manager: Eng. Mohammed Atta Alla
Consultant: Eng. Nabil Haraas.
Contractor: St Peter Co.
Cost Of Project: 850,000 Pounds.

Position: Barankh School -6th October
Project: Cosmos
Client: Ministry Of Education
Project Manager: Eng. Milad Noshy
Consultant: Beet
Contractor: St Peter Co.
Cost Of Project: 350,000 Pounds.





POSITION: MCV MERCEDES BENZ

PROJECT: MINI CENTRAL CONDITION SYSTEM

CLIENT: MERCEDES BENZ

PROJECT Manager: ENG. Milad Noshy

Consultant: ENG. Nagy Scander

CONTRACTOR: St peter CO.

COST OF project: 80,000 Pounds.

Position: المركز الاستكشافى للعلوم و التكنولوجيا-بحدائق القبة

Project: Center -Spilt- Mini Central Condition System

Client: المركز الاستكشافى للعلوم و التكنولوجيا-بحدائق القبة

Project Manager: Eng. Milad Noshy

Consultant: Beet

Contractor: St Peter Co.

Cost Of Project: 2450000 Pounds

Position: Julian Disco

Project: Air Hand Unit -Fan Coil Julian

Client: Julian Disco

Project Manager: Eng. Milad Noshy

Consultant: مكتب شاكر

Contractor: St Peter Co.

Cost Of Project: 1450000 Pounds.



Address: Al-Marj Ring Road
Nazlet Al-Qalaj



Duct.Proffisional@gmail.com



+001228251760
+00 1141795638



Position: Sunrise Sharm El Sheikh Hotel

Project: Chilled Water - Central-Mini Central Condition System

Client: Sunrise Sharm El Sheikh Hotel

Project Manager: Eng. Milad Noshy

Consultant: م.احمد حجاج الاستشارى

Contractor: StPeter Co.

Cost Of Project: 325,000 Pounds

Position: منتجعات الربيع رايز شرم الشيخ

Project: Mini Central Condition

Client: منتجعات الربيع رايز شرم الشيخ

Project Manager: Eng. Milad Noshy

Consultant: م.احمد حجاج الاستشارى

Contractor: St Peter Co.

Cost Of Project: 185,000 Pounds.

Position: فندق رايفر سايز الزمالك

Project: Central-Mini Central

Client: فندق رايفر سايز الزمالك

Project Manager: Eng. Milad Noshy

Consultant: م.نبيل جورج الاستشارى

Contractor: StPeter Co.

Cost Of Project: 475,000 Pounds.



Address: Al-Marj Ring Road
Nazlet Al-Qalaj



Duct.Proffisional@gmail.com



+001228251760
+00 1141795638



Position: (مبنى جامعة الدول العربية) القوات البحرية الدور الثالث

Project: Mini Central Condition

Client: مبنى جامعة الدول العربية

Project Manager: Eng. Milad Noshy

Consultant: م.كريم مختار الاستشارى

Contractor: St Peter Co.

Cost Of Project: 75,000 Pounds.

Position: كازينو فيجاس شرم الشيخ قرية امواج

Project: Central-Mini Central Condition System

Client: كازينو فيجاس شرم الشيخ قرية امواج

Project Manager: Eng. Milad Noshy

Consultant:

Contractor: St Peter Co.

Cost Of Project: 1450000 Pounds.

POSITION: مشروع قاعدة الماظه-الجوى (المتحف)

PROJECT: MINI CENTRAL CONDITION SYSTEM

CLIENT: مشروع قاعدة الماظه-الجوى (المتحف)

PROJECT Manager: ENG. Milad Noshy

Consultant: beet

CONTRACTOR: St peter CO.

COST OF project: 2450000 Pounds



Address: Al-Marj Ring Road
Nazlet Al-Qalaj



Duct.Proffisional@gmail.com



+001228251760
+00 1141795638



POSITION: القوات الجوية (الحرس الجمهورى) بصلاح سالم

PROJECT: MINI CENTRAL CONDITION SYSTEM

CLIENT: القوات الجوية (الحرس الجمهورى) بصلاح سالم

PROJECT Manager: ENG. Milad Noshy

Consultant: الاستشارى رئاسة الجمهورية

CONTRACTOR: St, Peter CO.

COST OF project: 250000 Pounds

POSITION: مصنع المهن الطبية بابو سلطان-الاسماعيلية

PROJECT: CHILLED WATER AIR CONDITION

CLIENT: مصنع المهن الطبية بابو سلطان-الاسماعيلية

PROJECT Manager: ENG. Milad Noshy

Consultant: شركة ماتكو (م.شريف على)

CONTRACTOR: St peter CO.

COST OF project: 1200000 Pounds.

Position: مستشفى العيون بالكيلو ٤,٥

Project: Chilled Water Air Condition

Client: مستشفى العيون بالكيلو ٤,٥

Project Manager: Eng. Milad Noshy

Consultant: شركة اوراسكوم للانشاءات

Contractor: St Peter Co.

Cost Of Project: 350000 Pounds.



Address: Al-Marj Ring Road
Nazlet Al-Qalaj



Duct.Proffisional@gmail.com



+001228251760
+00 1141795638



POSITION: مطار غرب

Project: Chilled Water Air Condition

Client: مطار غرب

Project Manager: Eng. Milad Noshy

Consultant: شركة اوراسكوم للانشاءات

Contractor: St Peter Co.

Cost Of Project: 1250000 Pounds.

POSITION: مشروع سيدى عبدالرحمن

PROJECT: CHILLED WATER AIR CONDITION

CLIENT: مشروع سيدى عبدالرحمن

PROJECT Manager: ENG. Milad Noshy

Consultant: شركة ابناء حسن علام

CONTRACTOR: St peter CO.

COST OF project: 1450000 Pounds.

Position: الهيئة القبطية الانجيلية

Project: Repair Chilled Water Air Condition

Client: الهيئة القبطية الانجيلية

Project Manager: Eng. Milad Noshy

Consultant: الهيئة القبطية الانجيلية

Contractor: StPeter Co.

Cost Of Project: 180000 Pounds.



Address: Al-Marj Ring Road
Nazlet Al-Qalaj



Duct.Proffisional@gmail.com



+001228251760
+00 1141795638



POSITION: مشروع سيدى عبدالرحمن

PROJECT: CHILLED WATER AIR CONDITION

CLIENT: مشروع سيدى عبدالرحمن

PROJECT Manager: ENG. Milad Noshy (كمقاول من الباطن)

Consultant: شركة اوراسكوم للإنشاءات

CONTRACTOR: St peter CO.

COST OF project: ٦٠٠000 Pounds.

Position: R5

Project: Duct Working

Client: ASGC

Consultant: ECG

Contractor: Duct Professional

Cost of Project: 5,300,000 Pounds

Position: R5

Project: Duct Working

Client: Samcrete

Consultant: ECG

Contractor: Duct Professional

Cost of Project: 12,000,000 Pounds

Position: الاستاد العاصمة الادارية

Project: Duct Working

Client: Orascom Construction

Consultant: Shaker

Contractor: Duct Professional

Cost of Project: 3,500,000 pounds



Address: Al-Marj Ring Road
Nazlet Al-Qalaj



Duct.Proffisional@gmail.com



+001228251760
+00 1141795638



Position: R5

Project: Duct Working

Client: El-Marasem

Consultant: ECG

Contractor: Duct Professional

Cost of Project: 4,600,000 Pounds

Position: R5

Project: Duct Working

Client: ميدكوم

Consultant: ECG

Contractor: Duct Professional

Cost of Project: 4,250,000 Pounds

Position: R5

Project: Duct Working

Client: الاسكندرية للانشاءات

Consultant: ECG

Contractor: Duct Professional

Cost of Project: 15,000,000 Pounds

Position: الشيخ زايد

Project: ابراج ZED الشيخ زايد

Client: اوراسكوم للانشاءات

Consultant: ECG

Contractor: Duct Professional

Cost of Project: 10,000,000 Pounds



Address: Al-Marj Ring Road
Nazlet Al-Qalaj



Duct.Proffisional@gmail.com



+001228251760
+00 1141795638



| |
|---|
| <p>Position: سیدی حنیش – مرسی مطروح</p> <p>Project: قرية سلفر ساندس – سیدی حنیش</p> <p>Client: اوراسكوم للانشاءات</p> <p>Consultant: ECG</p> <p>Contractor: Duct Professional</p> <p>Cost of Project: 44,000,000 Pounds</p> |
| <p>Position: R5</p> <p>Project: الحى السكنى R5</p> <p>Client: اوراسكوم للانشاءات كود 439-440-441-442</p> <p>Consultant: ECG</p> <p>Contractor: Duct Professional</p> <p>Cost of Project: 35,000,000 Pounds</p> |
| <p>Position: R5</p> <p>Project: الحى السكنى R5</p> <p>Client: میدكوم</p> <p>Consultant: ECG</p> <p>Contractor: Duct Professional</p> <p>Cost of Project: 15,000,000 Pounds</p> |





Company

Profile





جمهورية مصر العربية
وزارة التجارة والصناعة
غرفة الصناعات المعدنية



مجانا

شهادة عضوية

تشهد غرفة الصناعات المعدنية بأن المنشأة الصناعية

دكت بروفيشنال لتصنيع وتشكيل الواح الصاج

عنوانها: شارع المصرف بجوار مقابر الطرشه - القليوبه - القليوبه

مسجلة بعضوية الغرفة برقم (961) معدنية.

وقد حررت هذه الشهادة تطبيقاً لقرار الوزارى

رقم ٤٢٧ لسنة ١٩٩٢ وفقاً لطلب المنشأة المذكورة.



صدرت فى : 2021 / 02 /03

تنتهى فى : 2024 /12 /31

رقم الشهادة : 2945

المدير العام

محمد حسين عيسى

الشهادة صادرة طبقاً لقانون اتحاد الصناعات
المصرية رقم 70 لسنة 2019



جمهورية مصر العربية
وزارة المالية
مصلحة الضرائب المصرية
منطقة : القاهرة
مأمورية : الخانكة
العموان : شمس الدين بنفي نكي سالم اللبان
بجوار مصنع الرابطة للأبوس

شهادة على القيمة المضافة
الضريبة على القيمة المضافة

هذه شهادة منبأن : ميلاد نصحي بسالى شنوده (سان بيتر لاصمى التكييف والتبريد)
العموان : شارع صلاح الدين بجوار صينيلية د نانسى شعلان الخانكة القليوبية

قلم تم تسجيله وفقاً لنص قانون الضريبة على القيمة المضافة

تحت رقم : ٨٢٩ - ٢٠٠ - ٤٦٥
وذلك إصتباراً من : ٢٠١٨٠١٠٢٢
تحريراً فى : ٢٠١٨٠١٠٢٢

رئيس المأمورية
٢٠١٨ ٧٤٤

وزارة المالية
مصلحة الضرائب المصرية
٢٠١٨

تمديد وطبع مطبعة مصلحة الضرائب المصرية



شهادة سجل صناعي

رقم السجل: 1319061901005134 (2021)

تاريخ الإصدار: 18/02/2021

تاريخ الإنتهاء: 17/02/2026

اسم المنشأة الصناعية: ميلاد نصحي وشريكته

اسم الشركة: ميلاد نصحي وشريكته

السمة التجارية: دكت بروفيشنال لتصنيع وتشكيل الكيان القانوني: تضامن

عنوان المنشأة الصناعية: الطرشه - القلج - الخانكة - القليوبية
مصنع مؤجر بملك / محمد صلاح محمد عثمان- شارع المصرف بجوار مقابر

19071

| م | إسم المنتج | كود المنتج | الطاقة الإنتاجية الإسمية السنوية | |
|---|------------|------------|----------------------------------|------------------|
| | | | الوحدة | الكمية |
| 1 | تشكيل صاج | 7210900700 | طن | 900.00 (تسعمائة) |

٥٠٩ / ٩ / ١٨



تاريخ الطباعة: AM 11:44 18/02/2021

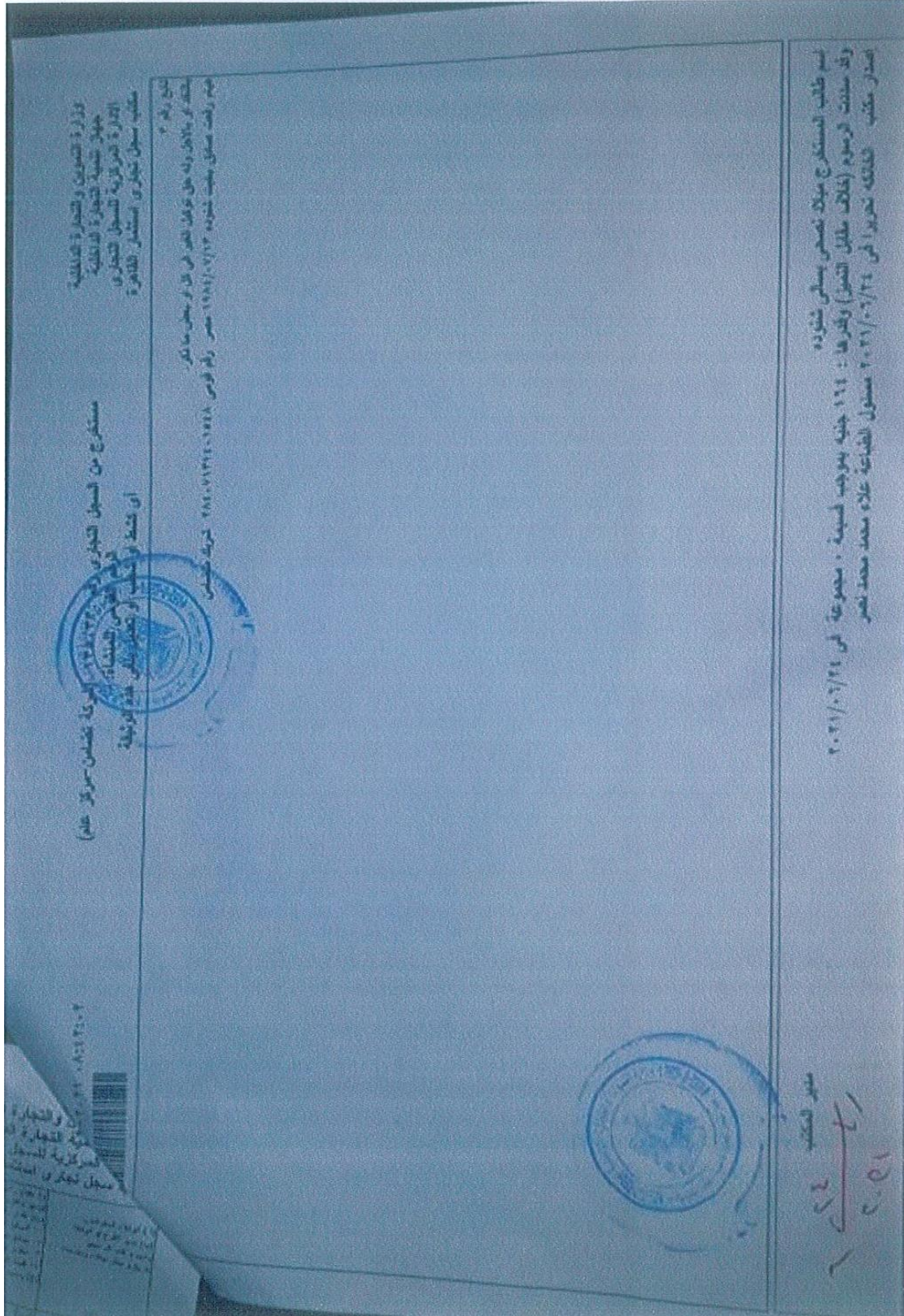
صفحة 1 من 1

حررت هذه الشهادة وفقا لأحكام القانون رقم ٢٤ لسنة ١٩٧٧ ، ولائحته التنفيذية وتعديلاتها والقرارات المنظمة له ، ووفقا للبيانات والمستندات المقدمة من المنشأة المذكورة ويرتبط سريان هذا السجل باستمرار صحة المستندات الصادرة عنه . ولا تزول هذه الشهادة لصاحبها أي حقوق تتعلق بملكية المنشأة.

٦٨١ جل







Address: Al-Marj Ring Road
Nazlet Al-Qalaj

✉ Duct.Proffisional@gmail.com

☎ +001228251760
+00 1141795638



Contact Us

Duct Professional Factory:

Address Al-Marj Ring Road, Nazlet Al-Qalaj, next to the water pumping Station and Maqabir Altursha.


Mobile 01228251760

Telephone: (202) 44680816

E-mail Duct.Proffisional@gmail.com
miladnoshy@yahoo.com



 Address: Al-Marj Ring Road
Nazlet Al-Qalaj

 Duct.Proffisional@gmail.com

 +001228251760
+00 1141795638